



Instruction Manual for SP PRO series 2i Interactive Inverter Charger

Installation • Operation • Service

Selectronic Australia Pty Ltd
© 2022

Ph +61 3 9727 6600

www.selectronic.com.au

Thank you for purchasing a Selectronic SP PRO series 2i sine wave Interactive Inverter Charger optimised for either grid connected power systems (also called Solar Hybrid Power Systems) or Off Grid systems (no grid power available).

Selectronic has an accredited Quality Assurance system covering both their manufacturing and design operations with over 25 years experience designing power conversion equipment for both domestic and industrial purposes.

As a result Selectronic has had many opportunities to listen to both integrators and system owners to determine their real needs.

We have learnt from our customers that:

- Modern solar energy systems need to do more than provide power when the sun shines,
- A simple or complex system should be a matter of choice. The inverter should be able to perform with ease of configuration yet be capable of integrating into the most advanced energy system.
- Battery longevity is paramount. A combination of battery protection and the best charging methods are essential.
- Monitoring / configuration software should be user friendly with intuitive “at a glance” menu clarity.

The SP PRO has been designed with these, and many other criteria in mind.

In addition to power conversion the SP PRO controls the operation of the entire energy system ensuring all sources of renewable energy are fully utilised whilst reducing the use of either grid power or generator power. The SP PRO is a complete Energy System.

With the easy to use SP LINK Site Configuration Wizard the SP PRO can easily be “hung on the wall” and configured to suit most renewable energy installations. Further functionality is also possible when using the Advanced Configuration settings to tailor the SP PRO to suit a more complex system requirements.

We are always interested in feedback about this document or the SP PRO. Please do not hesitate to contact us via our web site www.selectronic.com.au.

When installed and maintained correctly the SP PRO will give many years of trouble free operation.





Contents



INTRODUCTION

Australian/New Zealand Warranty	6
Using This Manual	6
Included in this package	7
Glossary of Terms	7
Configuring the SP PRO using SP LINK	7
Product Overview	8
Solar Hybrid Support and Grid Feed Systems	8
Off Grid Stand Alone Power Systems (SPS)	9
Precautions and Safety	10
Who should install this unit	10
Protective Earth connection	10
Multiple Hazardous Energy Sources	10
Preparation	11
Installation	11
Maintenance	11
Inverter may start automatically	11
Backup Generator may start automatically	11
Battery	11

INSTALLATION

Installation-General Requirements	12
Environmental Considerations	13
Effects of altitude on the SP PRO	13
Preparation	14
Installation of SPMC models	15
Installation of SPLC models	18
Battery Cabling Requirements	21
Battery Fusing / Circuit Breakers	21
DC Wiring SPMC Models	22
DC Terminal Torque settings - SPMC and SPLC	22
DC Wiring SPLC Models	22
Expansion Card Warning - 120VDC model	23
Current Shunt Wiring	23

Battery Temperature Sensor	23
Battery Wiring (DC) Preparation	24
AC Wiring	25
Earth Wiring	25
Residual Current Device (RCD) Type	
Recommendation	26
AC Wiring Preparation	26
Backup Generator (Advanced Feature) Control	
Wiring	26
Serial Port Connection	27
Gland Plate Fit out	27
Initial Start up Procedure	27
Labelling	27

Installation-System Configuration 28

Powerchain	28
Managed Battery Preparation	28
Managed AC Coupled Preparation	29
Generic AC Coupled Preparation	31
Powerchain - Three Phase Preparation	32
Powerchain - Split Phase Preparation	32
DC Coupled Charge Controller Preparation	33

Installation-Ancillary Components 34

Inputs and Output	34
External AC Source contactor	37
Adding a backup Generator (Solar Hybrid only)	38
Adding a Generator (Off Grid only)	39

Installation-Communications 40

Communications Overview	40
Communications Port Functions	41
Select.live Remote Monitoring	42
SP PRO Ethernet Adaptor	43

Installation-Configure with SP LINK 44

Overview	44
Configuring The SP PRO For All System	
Configurations	45



Installation-Commissioning	46
Introduction	46
Diagnostics during Commissioning	46
Common System Checks	47
Powerchain Systems	48
External AC Source Contactor	49
Continue Common System Checks	50
Checking Managed AC Coupled Systems	51
Checking Generic AC Coupled	52
Checking DC coupled	52
External Generator	53

OPERATION

Controls and Indicators	54
User Interface	54
SP PRO Operation	56
Battery Management	57
Battery State of Charge (SoC) monitoring and control	57
Battery Voltage monitoring and control	57
Battery Charging Operation	58
Battery Charging Cycle	59
Battery Temperature Compensation	60
Renewable Management	60
Generator Controls for Off Grid	61
Backup Generator Controls (with option)	61
Inverter External Alarm	61

SERVICE

Service and Maintenance	62
Multiple Sources of Supply	62
Cleaning the Fan and Fan Filter	62
Monitoring the operation of the SP PRO	62
System Shutdown and Startup	63
Installer Maintenance of SP PRO	63
System Maintenance	63
Battery Maintenance and replacement	63
Troubleshooting	64
Front Panel Indicators	64
Troubleshooting with SP LINK	66
AC Power Problems	67
Battery Problems	67
Grid related Problems	67
Off Grid Generator Start/Stop Problems	68
Inverter Startup Problems	69
Resetting inverter with or without Restoring	
Factory Default settings	69
Appendix A - Specifications	70
Standards Compliance	70
Product Specifications	70



Australian/New Zealand Warranty

The Selectronic SP PRO product is warranted by the manufacturer to the original purchaser only. The manufacturer will bear the cost of parts and labour to repair any faults found within the terms and period of this warranty. For full warranty terms and conditions please see the warranty card packed with the SP PRO inverter.

If you have purchased the SP PRO outside Australia or New Zealand, please see the separate warranty supplied by the authorised distributor in your country.

Warranty registration is carried out online at www.selectronic.com.au

Selectronic Australia shall be under no obligation to warrant any equipment which has been improperly installed, stored, or handled, or which has not been operated or maintained according to this manual, nor for any operating mistakes and consequences arising from them.

Using This Manual

While every attempt has been made to ensure this manual is as self explanatory and clear as possible, there are some technical issues and safety warnings that require thorough understanding. It is extremely important that the owner and integrator/installer follow all of the instructions set out in this document; failure to do so may void the warranty and not give the full benefits that this product can provide.

This manual is divided into four sections to allow fast access to relevant information. The heading on each page indicates the section.

INTRODUCTION	This section, which provides a brief overview of the SP PRO including information about warranties and terms used in this manual.
INSTALLATION	Contains information relevant to the installers from unpacking the unit to configuring the settings of the SP PRO using SP LINK interface software. Also see the SP LINK manual (contained in the SP LINK software) for Configuration Settings and Monitoring details
OPERATION	Information relevant to the user and covers the day to day operation of the SP PRO as well as certain safety warnings. This section presumes the unit's installation and set up is complete and correct.
SERVICE	Provides information to service personnel in regards to preventative maintenance and troubleshooting in case of a fault.

A PDF copy of this manual may be downloaded from the Selectronic web site www.selectronic.com.au and is also included within the Help menu of the SP LINK software.

Throughout the manual the following symbols will be repeated. These symbols are very important.



This symbol indicates danger. Failure to observe this warning may result in serious injury or death, loss of property or damage to the power system



This symbol is used to draw attention to information that will assist in making full use of the system or gives notice to information which may not seem immediately apparent



Included in this package

- Mounting bracket
- Rear Outlet Mesh Cover (SPLC models only)
- Contents checklist, checked and signed by Selectronic
- Know Your SP PRO display quick reference card
- Tool kit - (Hex Drive bits - T10 Torx, T20 Torx, T25 Torx, 5 mm Hex, 6 mm Hex, long extension)
- USB Cable - Type B

SP LINK software: Download the latest version from the Selectronic web site www.selectronic.com.au

Glossary of Terms

Powerchain	A method for allowing the integration of up to four SP PROs in a single phase power system or four SP PROs per phase in a multi phase power system.
DC Coupled system	The Solar is connected to the DC side of the inverter system through a Solar Controller.
AC Coupled system	The Solar is connected to AC Side of the inverter system via a separate Grid Tie inverter.
Solar Hybrid	A battery based power system that is connected to the electricity grid
Off Grid	A battery based power system that is remote from the electricity grid
AC Source	The primary AC input connected to the SP PRO, e.g., Mains Grid or Backup Generator.
Site File	An SP LINK file that is set up for each SP PRO inverter to be connect to.
Configuration File	A file that contains all the settings to be loaded into the SP PRO. This is normally linked to a site file.
Solar Array	A collection of Solar Panels.
PV	Photo Voltaic solar power
Sealed Battery	A lead acid battery with no access to the electrolyte - either valve regulated or gel.
Flooded Battery	A lead acid battery with access caps for maintaining the electrolyte - replacing water lost during recharge operations. Hydrogen gas discharged during normal recharge
Lithium Battery	A battery based around lithium technology. For example, Lithium Iron Phosphate (LiFePO4)
Managed Battery	Where the Battery Management System (BMS) communicates with the SP PRO.
BMS	Battery Management System. An electronic battery monitoring system that keeps the battery bank within its safe operating conditions whilst maximizing battery health.
State of Charge	(SoC) The amount of charge in the battery bank, expressed as a percentage of the battery capacity. When SoC is 100%, the battery is fully charged.
Battery Sense	Three terminals located in the SP PRO for a direct connection to the battery terminals and battery mid-point. Used to provide battery sense measurements and a pre-charge function that reduces inrush current during DC power up .

Configuring the SP PRO using SP LINK

Provided as a free download, the SP LINK software is a convenient configuration and monitoring tool used for integrating the SP PRO into the energy system. The SP PRO inverter must be configured using SP LINK before it will produce any output power.

SP LINK also accesses the monitoring and logging features of the SP PRO to allow the user and installer to monitor system performance and to assist in the diagnoses of any system issue.

A PC running SP LINK is simply connected to the SP PRO via a USB port to open up the full potential of the SP PRO Energy System.



Product Overview

Chapter One



The SP PRO Sine wave Interactive Inverter Charger is designed specifically for either Solar Hybrid (grid support / grid feed) or Off Grid (no grid available) operation.

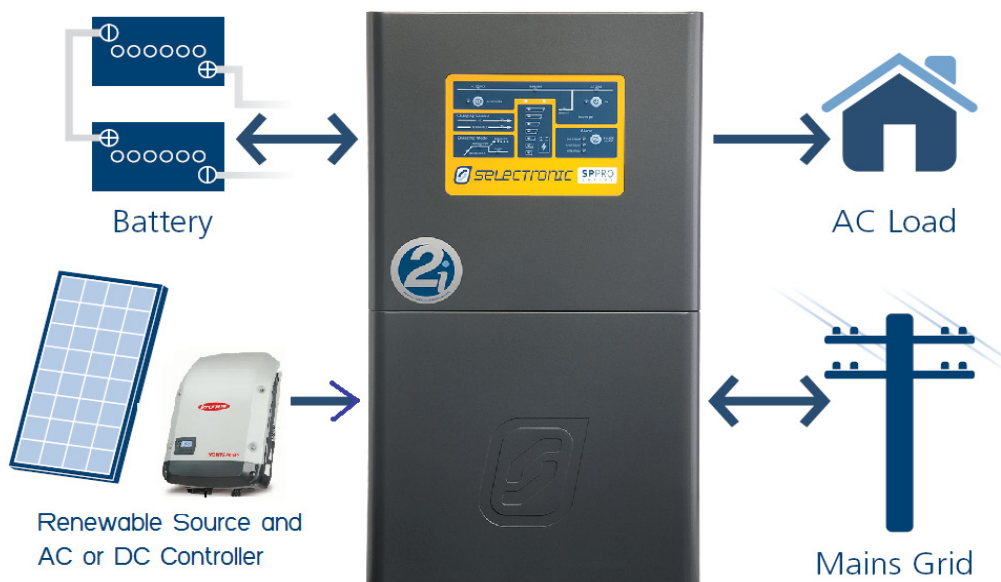
With Powerchain capability, the SP PRO can be configured as either a single phase power system with up to four SP PROs or a three phase configuration with up to twelve SP PROs (four per phase). A Split phase with eight SP PROs is also possible. With all SP PROs in a Powerchain system operating in perfect harmony, the power system is configured, controlled and monitored as one.

As a battery based inverter, charger and system controller all in the one product, each SP PRO has configurable power limits suitable for many Solar Hybrid applications.

With its in built generator controller the SP PRO is also the ideal choice for all Off Grid installations or Solar Hybrid systems with generator back up.

The SP PRO is compatible with virtually any DC renewable charging source (such as a DC solar controller). Also any AC renewable source (such as a grid tie inverter) is compatible with the SP PRO in a Solar Hybrid system.

For Off Grid Systems or Solar Hybrid systems requiring export limiting, the Selectronic Managed AC Coupling is used. Its advanced features include the precise control of the AS/NZS 4777.2:2020 compliant, Selectronic Certified (SCERT) grid tie inverter. This configuration is ideal for either an Off Grid charging system or the export limit control of the AC coupled SCERT grid tie inverter. Please note that any active export power comes from the AS/NZS 4777.2:2020 compliant, SCERT grid tie inverter and that the SP PRO does not export active power to the grid.





Solar Hybrid Support and Grid Feed Systems

In Solar Hybrid, the renewable energy can be directed to power the AC load, recharge the battery bank or, when AC coupling to AS/NZS 4777.2:2020 compliant grid tie inverters, export power from these AC coupled grid tie inverters to the grid. The direction and priority of the energy flow can be varied depending on the time of day, battery SoC or load demands allowing the maximum use of the renewable energy (such as PV solar) and stored battery energy to supply loads to take advantage of variable electricity tariffs. A Solar Hybrid system will also allow the user to only use grid electricity when they choose.

Please note that any active export power comes from the AS/NZS 4777.2:2020 compliant, grid tie inverters and that the SP PRO does not export active power to the grid. In the Australian market, the SP PRO is not certified as a grid tie inverter but a stand-alone inverter with grid input

By using the optional “Grid fail - Gen backup” module the SP PRO can be configured to automatically start and stop a generator during a prolonged power outage. When the generator is running, the SP PRO will use the generator to power the site load plus use any additional generator capacity to charge the batteries.

Off Grid Stand Alone Power Systems (SPS)

The SP PRO is the heart of the power system. It quietly provides AC power from the battery bank and renewable sources. By using SP LINK the SP PRO can be configured to monitor battery state of charge and load conditions to automatically start and stop the generator as required to charge the batteries and supply loads heavier than the SP PRO can efficiently handle. These features, when correctly configured, will increase the battery life and reduce generator running costs.

When the generator is running, the SP PRO will use the generator to power the site load; plus use any additional generator capacity to charge the batteries. When the site loads are greater than the generators output, the SP PRO will add its power to the generator. When the site loads are reduced, the SP PRO will return to battery charging. The above operation happens automatically, whilst always maintaining “no break” power to the site.

An SP PRO managed AC Coupled system is suitable for Off Grid systems due to the superior battery charging functions that are achieved by a sophisticated system control and monitoring communications link between the SP PRO and compatible grid inverters.





Precautions and Safety

Chapter Two



Warning: If this equipment is used in a manner not specified by the manufacturer as contained in this manual and other operational documents and Instructions, then the protection provided by the equipment may be compromised.

Who should install this unit

The SP PRO is designed for easy installation and can be installed by any suitably qualified person.

The voltages produced within a power system are hazardous. Even though the SP PRO may derive its input from a battery, the extremely high current capability of a battery bank is hazardous. Additionally the high voltage battery banks (120V) used in the SPMC1201, SPLC1200 and SPLC1202 are hazardous and the output and input AC voltage in all the SP PRO models is just as hazardous as grid electricity.

All AC connections and hazardous DC connections to the SP PRO must be carried out by a qualified Electrical contractor or similar, failure to do so will contravene legal requirements.

All DC wiring must be carried out by a person experienced with DC electrical circuits and must understand high current low voltage circuits. To ensure an efficient system installation, cable sizing and voltage drop must be understood and the recommendations within this manual followed.

Selectronic Australia shall have no obligation as to any equipment which has been improperly installed, stored, or handled, or which has not been operated or maintained according to this manual, nor for any operating mistakes and consequences arising from them.



This product is not to be used for Life Support equipment

Protective Earth connection



It is critical that all protective earth connections made within the SP PRO use the protective earth terminal. This is the earth terminal that is on the right hand side of the AC terminals and marked with a earth symbol enclosed in a circle.

Multiple Hazardous Energy Sources



Hazardous voltages and energy are generated by the SP PRO, are fed into the SP PRO by external wiring from multiple sources and are stored in capacitors after the SP PRO is switched off and disconnected from external wiring.



Preparation

Whilst every effort has been made to pack the SP PRO in a way that will provide adequate protection, damage in transit can occur. Please carefully check the packaging and the SP PRO for signs of damage and for all components mentioned in the “Included in the Package” section of this manual.

Please report any damage or missing parts to Selectronic or a Selectronic Authorised Distributor.

Please retain the original packaging for the safest and most effective method of repackaging if required.

Installation



The SP PRO requires adequate ventilation, away from hot equipment. Do not obstruct the airflow passage of the SP PRO case (top and bottom). Ensure when installed in an enclosed space that there is adequate ventilation.

The SP PRO must be located in a place away from electrolyte and corrosive aerosols.

The SP PRO contains arcing contacts so must not be located near explosive gas mixtures such as hydrogen from batteries or diesel fumes.

Maintenance



Ensure that all energy sources are isolated before working on connected wiring. A backup generator may start or power may be restored by the SP PRO at any time. Never work on equipment or investigate a problem without following appropriate safety isolation procedures.

Inverter may start automatically



The SP PRO automatically starts and/or restarts and may restore power at any time. If a fault or overload is detected the SP PRO will shutdown and may automatically attempt to restart at varying intervals of up to several hours.

Backup Generator may start automatically



The SP PRO automatically starts and/or restarts a backup generator (when a Grid Fail - Gen Backup option is installed). If a fault or overload caused the SP PRO to shutdown then it will automatically attempt to start and restart the backup generator.

Battery



Batteries are very dangerous. Please read the safety information provided by the battery supplier.

- Battery acid is dangerous.
- Batteries can emit hydrogen gas, which is explosive.
- Batteries connected in series can produce hazardous voltages.
- Batteries are capable of sourcing extremely high output currents. Short circuit or high overload currents can be extremely hazardous and cause high current arcs, burns and explosions.
- Disconnecting a DC power connection (even on one battery cell) can cause dangerous high-energy DC arcs, which can cause serious burns and eject hot particles, and can be difficult to extinguish.
- Disconnecting a DC power connection (even on one battery cell) can cause renewable sources to produce large voltages (much larger than the battery voltage) on battery terminals and DC wiring. Such voltages can be lethal. They can also damage the SP PRO. Only suitably trained and qualified personnel should disconnect any DC power connection, including battery cell connections, and only with suitable procedures and safety precautions.
- System battery voltages of 60 V or greater are to be treated as a hazardous voltage.



Installation-General Requirements

Chapter Three



The SP PRO must only be installed by suitably qualified personnel. Many procedures covered in the INSTALLATION sections of this manual have inherent risks. Whilst the SP PRO is designed to be safe, including safety features never before found in an inverter (such as Earth / Neutral bond monitoring), the voltages connected to or generated within the SP PRO are hazardous and potentially fatal.



It is the responsibility of the installer to ensure the installation and all the wiring is carried out according to all safety standards that are applicable to the installation. The wiring diagrams and installation instructions are given as a guide only and compliance to appropriate standards is the responsibility of the installer.



The following section provides general installation instructions for the SP PRO . For information on specific configurations please refer to the “Installation-Specific Applications” Section in this manual and the relevant installation guide supplied with any required installation options.

All installation notes including this manual can be downloaded from the Selectronic web site at: www.selectronic.com.au



Environmental Considerations

ENVIRONMENTAL CATEGORY

The SP PRO is design with an Environmental Category (as defined by IEC 62109.1) for “Indoor, unconditioned. The SP PRO must be protected by a building or enclosure from direct rain, sun, wind-blown dust, fungus and radiation to the night sky.

The SP PRO must be installed in a dry environment.

POLLUTION DEGREE 2

The SP PRO is designed to operate in a Pollution Degree 2 environment. Normally only non-conductive pollution occurs with occasional temporary conduction due to condensation expected.

TEMPERATURE

The SP PRO is designed for an ambient operating temperature between -20°C and 60°C, with a storage temperature range between -20°C and 70°C.

AIR FLOW

For best performance ensure nothing impedes ambient air from being drawn in the bottom of the unit and that hot exit air is vented away and doesn't recirculate into the unit. Particular attention must be paid when installed inside a cabinet or enclosure.

CLEARANCE FROM OTHER EQUIPMENT

A recommended clearance distance of 150 mm around all sides, top and bottom. Particular care must be taken when mounting near other heat producing equipment.

HUMIDITY TOLERANCE

The SP PRO is designed to operate in a humidity range of 0 – 99% non condensing.

INGRESS OF PARTICLES

The SP PRO has been designed to meet IP rating 43 (Protected against solid objects larger than 1.0 mm / protected against water falling as a spray at up to 60 degrees from the vertical).

Effects of altitude on the SP PRO

Altitude (m)	Derating Factor
0, sea level	1.00
1000	0.95
1500	0.90
2000	0.85

The power rating of the SP PRO should be compensated for the effects of altitude by applying the appropriate derating factor. For example, at 2000 m above sea level the SPMC482-AU is rated at 7.5 kW x 0.85 = 6.3 kW at 25C.



Preparation

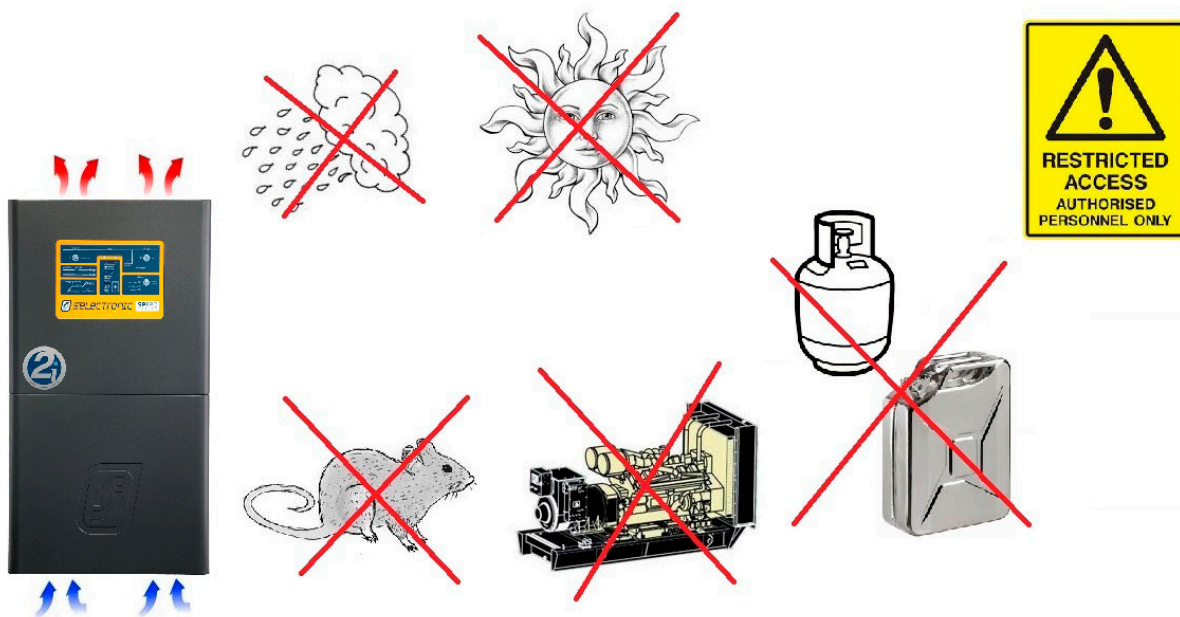
The selection of a suitable site and good preparation is essential in gaining optimum performance from the SP PRO.

SP PRO Inverter performance is dependent upon the environmental operating conditions, in particular ambient temperature and ventilation. In addition safety aspects must be considered, such as:

- Restrict access to authorised personnel only.
- Consideration of maintenance of ambient temperatures to ensure performance within product specification.
- Positioned away from heat producing devices such as generators.
- Adequate ventilation, adhering to the minimum clearances required for adequate heat dissipation.
 - Minimum 150 mm clearance from top, bottom and sides.
 - Minimum 150 mm between each SP PRO or SP PRO and grid inverter or MPPT.
- In a covered location away from direct rain. The SP PRO has an environmental rating of IP43 which makes it unsuitable for water spray that is greater than 60 deg from the vertical or greater than 0.7 litres per minute.
- In a location shaded from direct sunlight.
- Away from any explosive gas.
- Rodent proof.
- In a clean environment away from dust, iron filings, workshop pollutants and other small particles.
- Enough room to remove the cover.
- The provision of infrastructure for monitoring - example data cables

The SP PRO should be installed in a separate area to the battery system (where used). The battery bank can emit explosive gas (hydrogen) and this must be vented outside and away from the SP PRO. The battery system should not be accessible by the user.

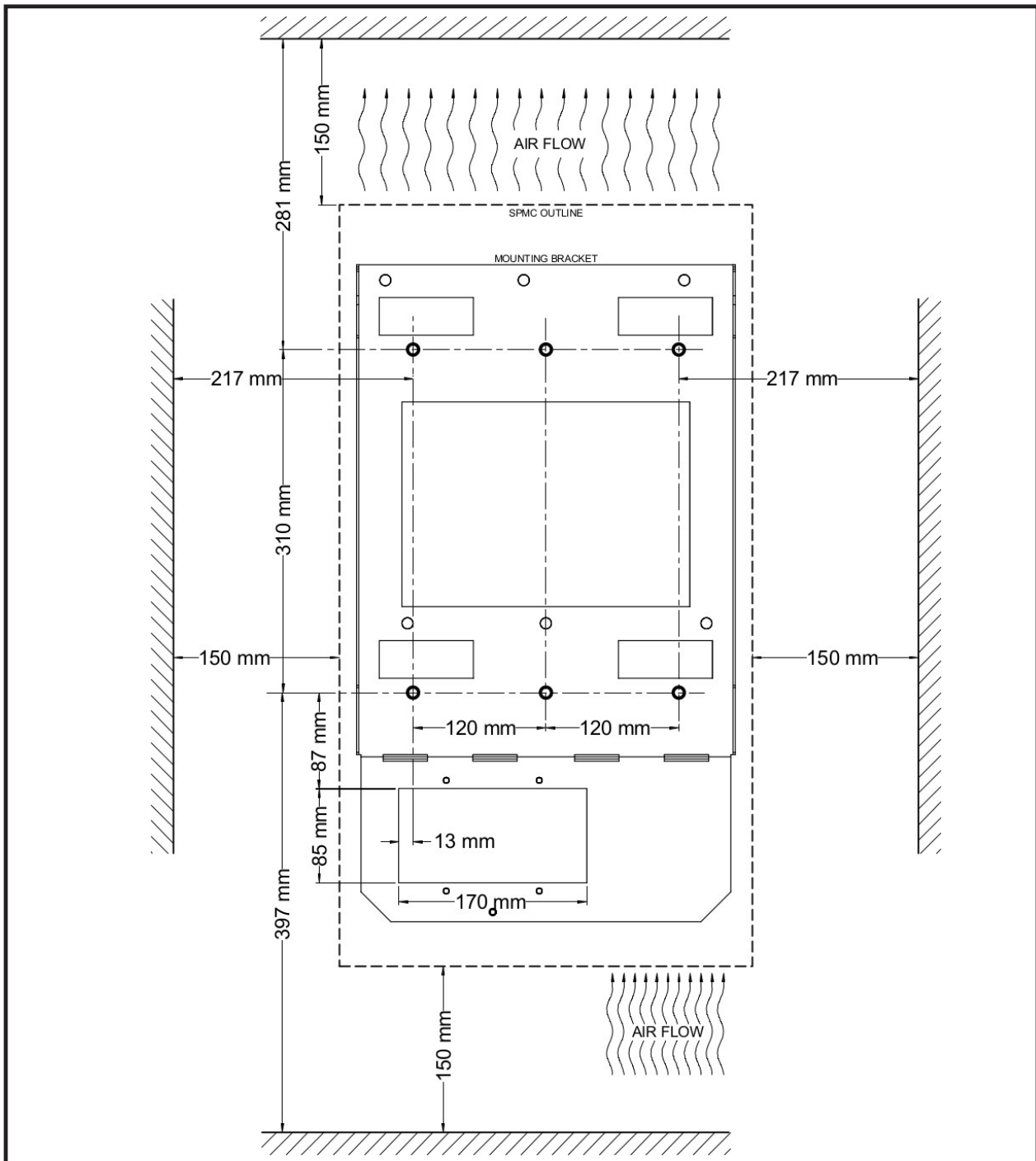
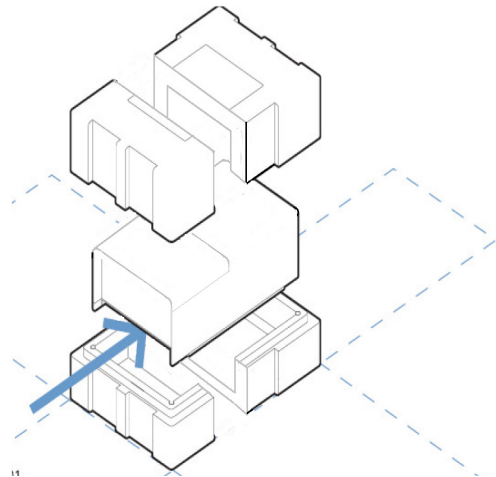
When batteries are used in the system it is recommended that the installation be in lockable area with a separating partition or enclosure for the battery bank.





Installation of SPMC models

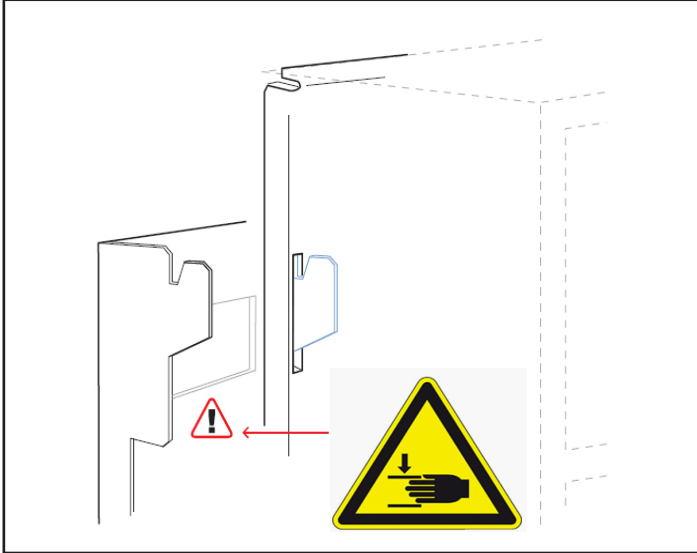
1 - Unpack the SP PRO onto a flat surface. When removing the SP PRO from its packaging carefully inspect for any damage that may have occurred in transit. Damage must be reported to the supplier immediately.



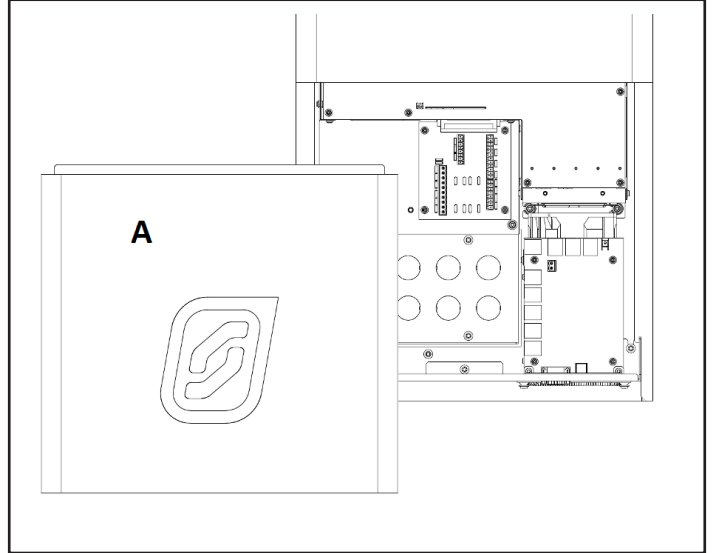


2 - Diagram previous page. Choose a suitable weight bearing and temperature resistant surface to mount the SP PRO. Mounting **MUST** be to solid timber studs, solid timber, brick, masonry or other load bearing wall. **DO NOT** mount directly to plaster. Max temperature is ambient +30 degrees C, max weight is 45 kg. The display of the SP PRO should be at eye level. There should be no obstructions to the clear passage of air. Use the 6 x M8 holes to mount the bracket.

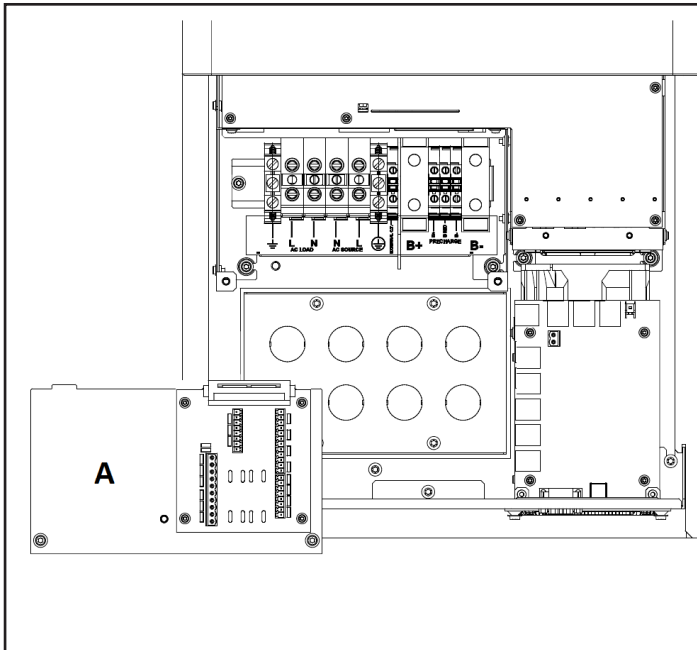
NOTE: Any wiring via the rear gland plate (attached to mounting bracket) can be ruffed in before mounting the SP PRO.



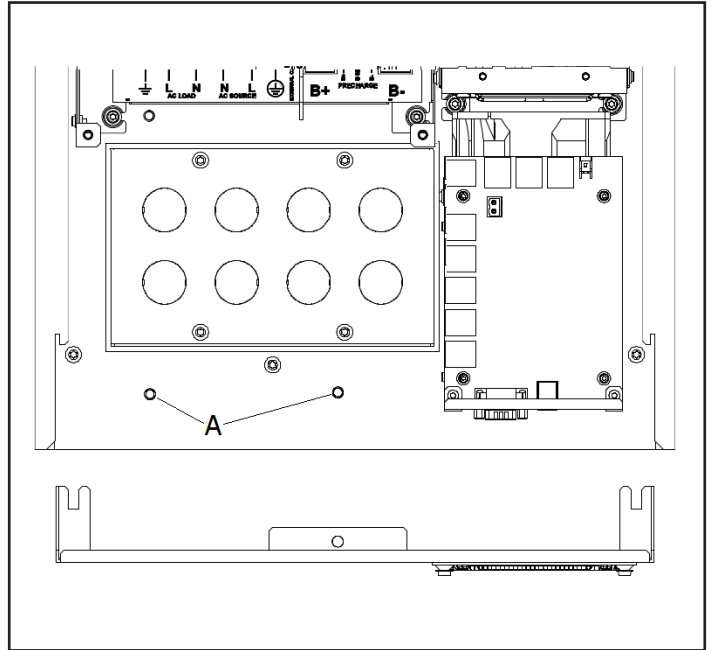
3 - Leave access cover (A) in place. Lift inverter from underneath whilst stabilising top. Inverter is top heavy and gloves must be worn. Mount the SP PRO on the mounting plate by first hooking the top of the inverter over the projections and lowering it into position. Care should be taken to observe Pinch Point warning.



4 - With a T25 torx driver, remove the access cover(A) by unscrewing the two M5 Torx screws at the bottom of the SP PRO.



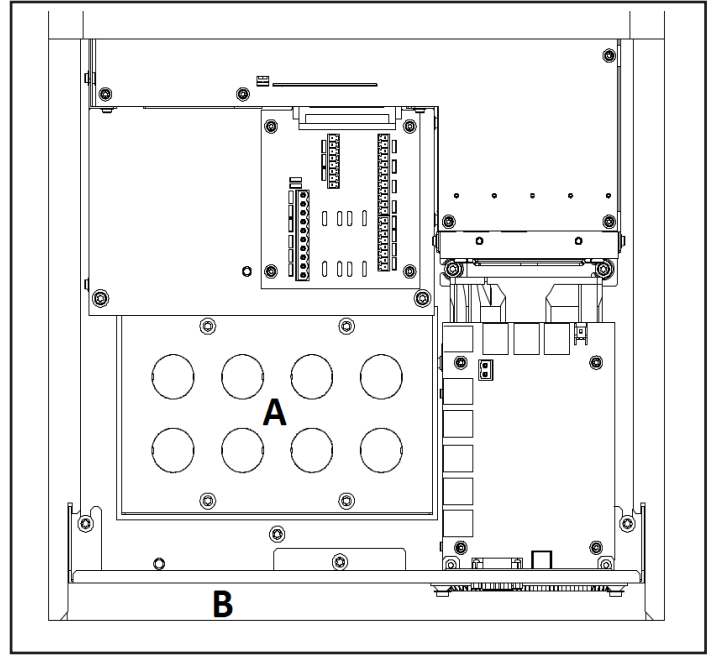
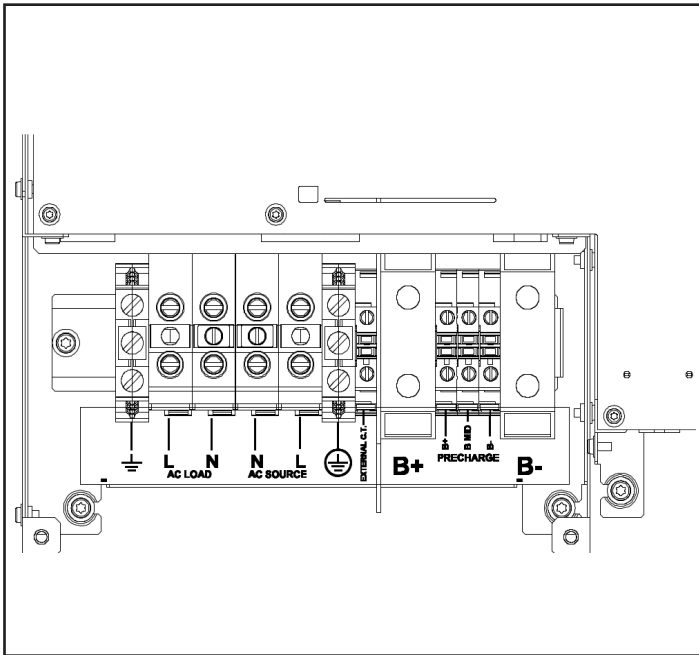
5 - Using the T20 torx driver remove the terminal cover and expansion card(A) by undoing the 2 screws.



6 - The lower gland plate can be removed if required to give greater access to wiring terminals using T25 torx driver. NB, side screws need only be loosened. Secure the bottom of the SP PRO to the mounting plate with two M5 Torx screws. (A on above diagram)



7 - STOP: Detailed instruction for wiring SP PRO contained on the following pages. These **MUST** be followed before proceeding with installation.



8- Wiring must only be carried out by suitably qualified installers and must adhere to all relevant standards.

9 When all the AC wiring is complete reinstall the terminal cover and expansion card.

Important points

- Failure to fill any holes in rear gland plate (A) or lower gland plate (B) will reduce IP rating and compromise thermal design.
- Installation of the included battery temperature sensor in non-managed battery systems is imperative for their correct and accurate charging. Where a managed battery is installed the SP PRO reads the battery temperature from the battery's BMS therefore the temperature sensor is not required.

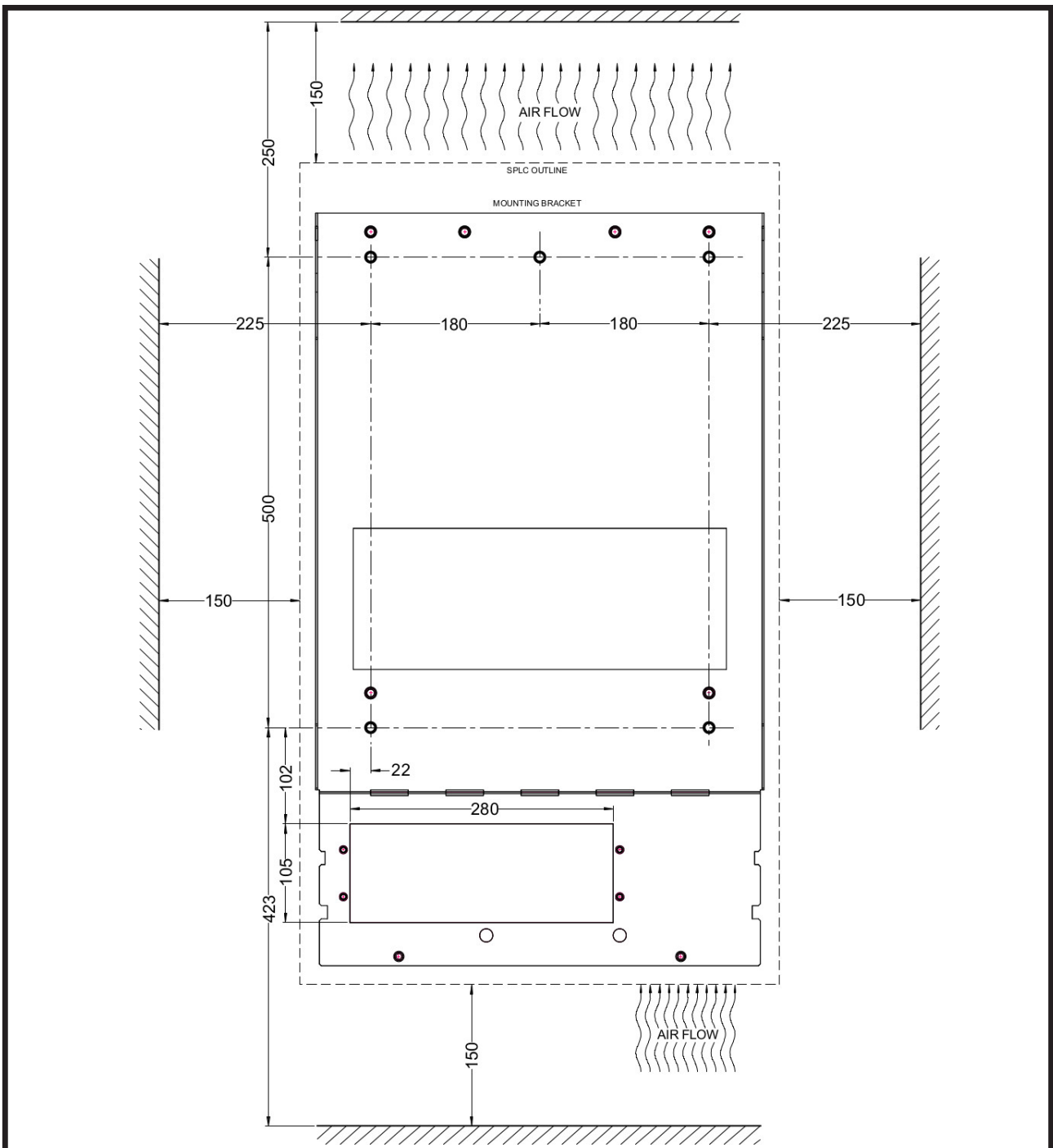
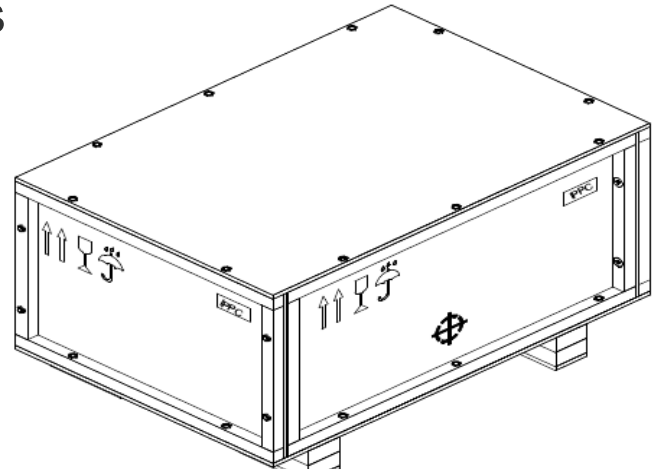


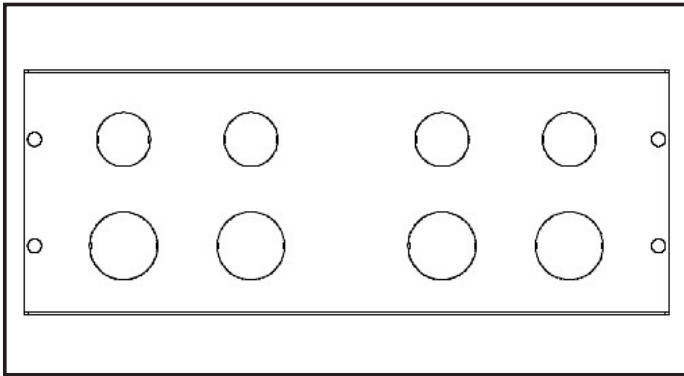
Note: The rear gland plate (A) is screwed to the mounting bracket. This allows all wiring to be carried out after the mounting bracket is installed and before the SP PRO is hung on the mounting bracket.



Installation of SPLC models

1 - Undo ten bolts ($\frac{7}{16}$ ") to remove lid on packing crate. Cardboard tray contains mounting plate, rear air outlet mesh cover and all documentation. Inspect for damage in transit and report any to the supplier immediately.





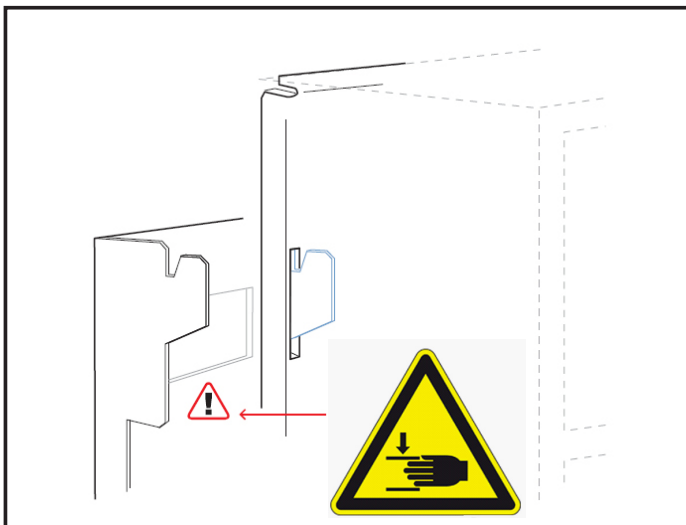
2 - Cable entry is either from below or wall entry. Gland plates are interchangeable. Gland plates secure to the underside of unit base or to the inside of the mounting plate using four T25 Torx screws. **NOTE:** Any wiring via the rear gland plate (attached to mounting bracket) can be ruffed in before mounting the SP PRO.

3 - See Diagram on previous page

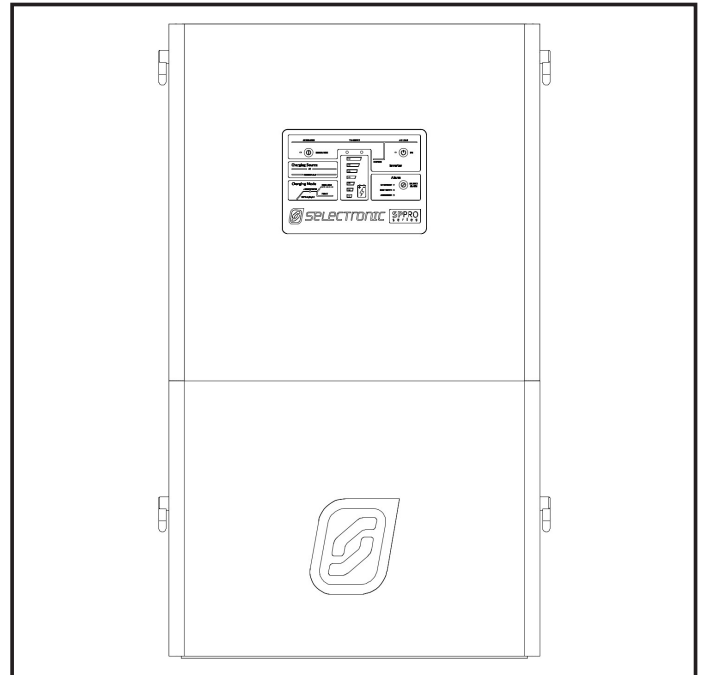
Choose a suitable weight bearing and temperature resistant surface to install the mounting plate. Mounting **MUST** be to solid timber studs, solid timber, brick, masonry or other load bearing wall. **DO NOT** mount directly to plaster. Max temperature is ambient +30°C, weight is 115 kg. The plate should be mounted at a convenient level.

There should be no obstructions to the clear passage of air.

Wall or cavity cables may now be fitted through gland plate.



5 - Mount the SP PRO on the mounting plate by first hooking the top of the inverter over the projections on the mounting plate and lowering it into position. Care should be taken to observe Pinch Point warning. Secure the bottom of the inverter to the mounting plate with two M6 bolts provided.



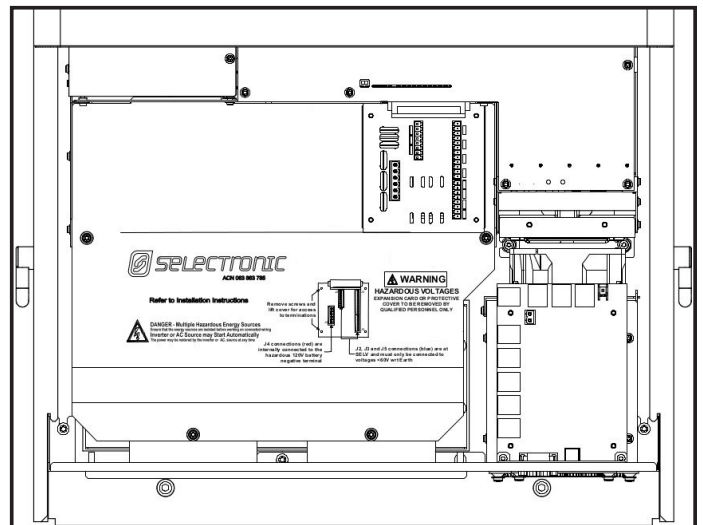
4 - Undo 10 bolts ($7/16"$) to remove sides from the packing base. Undo 8 bolts ($7/16"$) to remove clamps from handles. **DO NOT** remove front access cover.



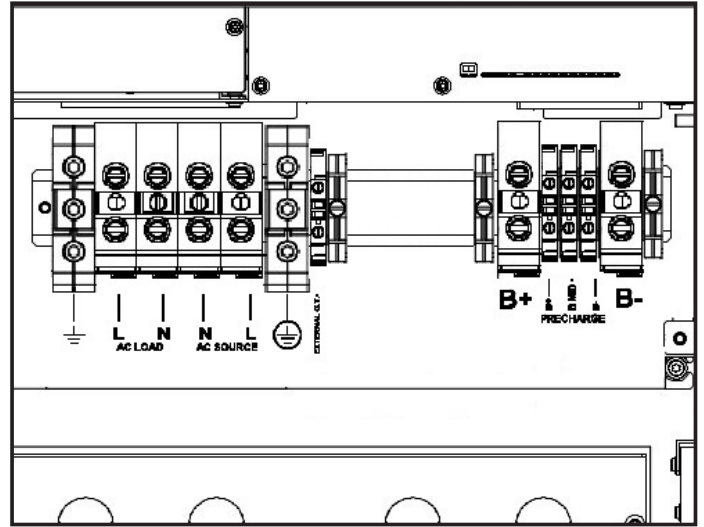
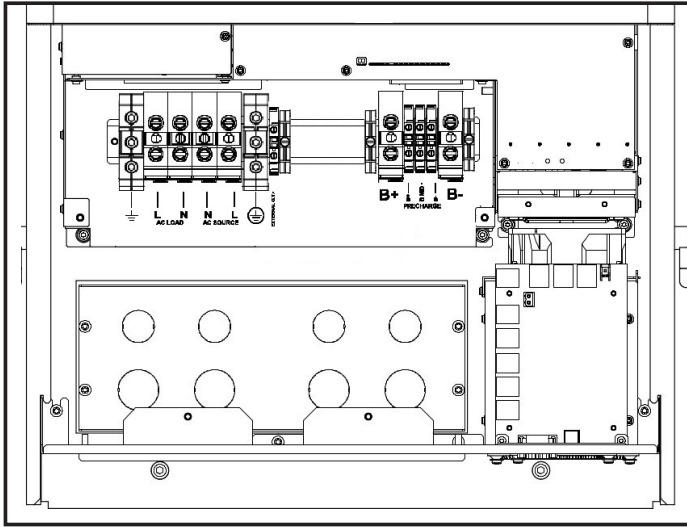
HEAVY: Take care when lifting - 105 kg
SHARP: Use gloves - handle edges sharp.
TOP HEAVY: Secure unit when standing unit upright.

Stand unit upright using handles.

REAR AIR OUTLET MESH COVER: Fit and secure with six thumb screws



6 - Using T25 Torx driver remove the cover by unscrewing two screws at the bottom of the SP PRO.



7- Undo five T20 Torx screws to remove terminal plate. Expansion card remains secured to SP PRO.

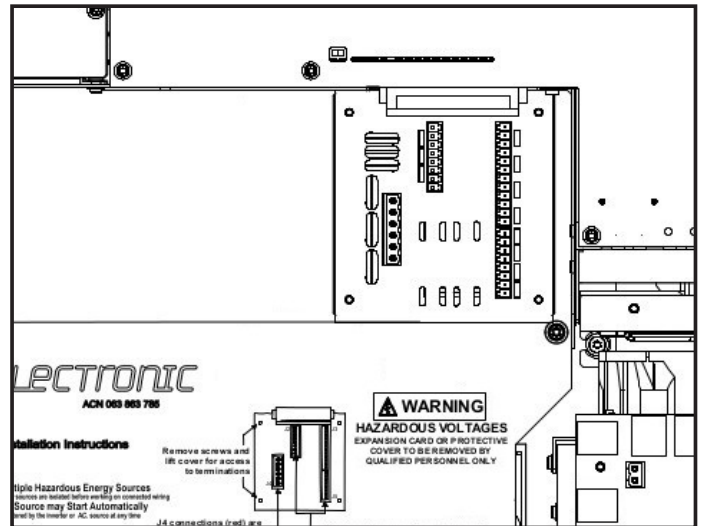
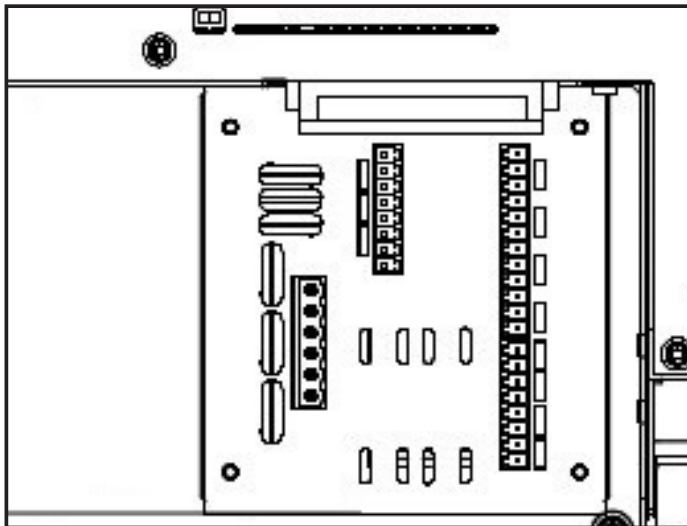
Note: Expansion card not shown for clarity.
Note: Gland plate shown in wall entry cable position.



8 - Wiring can only be carried out by suitably qualified installers and must adhere to all relevant standards.



9 - STOP: Detailed instruction for wiring SP PRO contained on the following pages. These **MUST** be followed before proceeding with installation.



10 - Important points

- Failure to fill all holes in the gland plates will compromise IP rating and the thermal design.
- Protective cover on Expansion Card **MUST** be fitted.
- Installation of the included battery temperature sensor in non-managed battery systems is imperative for their correct and accurate charging. Where a managed battery is installed the SP PRO reads the battery temperature from the battery's BMS therefore the temperature sensor is not required.

11 - Initial Switch On.

- Verify all connections are tight and correct polarity.



Battery Cabling Requirements

The follow tables specify the minimum Recommended Copper Battery Cable Sizes for SP PRO inverter.

NOTE: Please ensure the battery cabling and the fusing complies with relevant safety standards.

Total distance per conductor from the SP PRO to the battery terminals	Minimum Size Copper Battery Cables per inverter. Based on cable loss < 2% (V90 OR V-90HT INSULATION)						
	SPMC240	SPMC241	SPMC480	SPMC481	SPMC482	SPMC1201	SPLC1200, SPLC1202
< 2 m	70 mm ²	70 mm ²	35 mm ²	50 mm ²	70 mm ²	35 mm ²	70 mm ²
2 - 5 m	70 mm ²	50 mm ² x 2	50 mm ²	50 mm ²	70 mm ²	35 mm ²	70 mm ²
5 - 10 m	N/A	N/A	70 mm ²	70 mm ²	70 mm ² x 2	50 mm ²	70 mm ²
> 10 m	N/A - NOT RECOMMENDED						
Battery Sense	1.0mm ² or greater, double insulated (see note)						



V90 or V-90HT insulated cables are required to be spaced apart by at least the diameter of the cable. For cables with higher grade insulation, no spacing is required.
The maximum temperature rating of the cabling within the unit needs to be considered.
Maximum temperature with cabling space is ambient +30 degrees C.



In a Powerchain installation, the total battery cable rating is multiplied by the number of inverters in the system. For example in a three phase installation using three SPMC482 inverters, the minimum battery cable size with a length of 2m - 5m is 3 x 70 mm² or equivalent



Failure to follow cable size recommendations will reduce inverter performance to the published specifications due to excessive voltage drops
Battery Sense / Pre-charge cable **MUST** be robust with solid insulation. **DO NOT USE** CAT5 or equivalent cable.

Battery Fusing / Circuit Breakers

Recommended Battery Fuse or Circuit Breaker Sizes per SP PRO inverter.



The following recommendations **MUST** be adhered to for correct system operation. Failure to follow the fuse / circuit breaker recommendations **WILL** lead to loss of power.

Product	SPMC240	SPMC241	SPMC480	SPMC481	SPMC482	SPMC1201	SPLC1200, SPLC1202
Battery fuse / Circuit breaker Rating per inverter (A)	250	250	125	160	250	125	250
Battery Sense	2A or greater (sized to protect wiring)						



The DC Breaking Capacity (normally specified in kA at a maximum DC voltage) of the fuse or circuit breaker must be greater than the maximum DC Short Circuit current for the sites connect battery system.



In a Powerchain installation, the total battery fuse / circuit breaker rating is multiplied by the number of inverters in the system. For example in a three phase installation using three SPMC482 inverters, the battery fuse size is 3 x 250A = 750A.
Alternatively each SP PRO maybe wired individually with their own battery circuit. In this case use the cable size and battery fuse / circuit breaker ratings shown in the above tables.



DC Wiring SPMC Models



WARNING: Copper wiring must be used throughout. Observe polarity of ALL battery wiring. Reverse battery polarity will cause irreversible damage.

All SPMC models do NOT contain an internal fuse or DC breaker. The DC wiring must be fitted with appropriate fusing or circuit breakers.

The fuse or circuit breaker must be located in a user accessible position and be in close proximity to the battery system. The battery system must not be accessible by the user.

There are four DC wiring connections that should be made. B+ and B-, Battery Sense / Pre Charge and optional MID point monitoring. The battery sense / pre-charge connections can be made with light duty cable (1.0 mm² or greater).

DC wiring should be fed through the appropriate gland and terminated into the correct terminals.

Connect the battery negative lead with the insulation stripped back 28 mm to the SP PROs Battery Negative screw terminal. Tighten the hex screw with the driver provided. Repeat the same process with the positive battery lead. Ensure that NO part of the wiring insulation is clamped in the SP PRO battery terminals.

DC Terminal Torque settings - SPMC and SPLC

SPMC Main DC Terminals	SPLC Main DC Terminals	SPMC & SPLC Pre-charge terminals
8.0 to 10.0 Nm	8 to 10 Nm	1.5 to 1.8 Nm

DC Wiring SPLC Models



WARNING: Copper wiring must be used through out. Observe polarity of ALL battery wiring. Reverse battery polarity will cause irreversible damage.

The SPLC1200 and SPLC1202 models do NOT contain an internal fuse or DC breaker. The DC wiring must be fitted with appropriate fusing or circuit breakers. Any fuse or circuit breaker must be located in a user accessible position and be in close proximity to the battery system. The battery system is hazardous and must not be accessible by the user.

DC wiring should be fed through the appropriate gland and terminated to the correct terminals.

Connect the battery negative lead with the insulation stripped back 28 mm to the SP PROs B- screw terminal. Repeat the same process with the positive battery lead to the B+ terminal.

Battery Sense / Pre charge B+ and B- and optional MID connections. These connections can be made with light duty cable (1.0 mm² or greater) - cable MUST be double insulated. Connect the battery negative lead with the insulation stripped back 12 mm to the SP PROs Pre charge negative screw terminal. Repeat the same process with the positive battery lead and optional mid point lead.



Multiple Hazardous Energy and Voltage Sources

DC wiring is fed from multiple sources including internal capacitors. Care must be taken to ensure that under no circumstances can the user access or touch wiring even after the operation of external circuit breakers or fuse assemblies. SPMC1201, SPLC1200 and SPLC1202 models operate from a hazardous DC voltage (120VDC). Care MUST be taken to ensure users cannot come in contact with the DC supply.



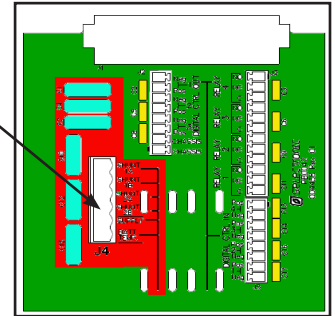
Expansion Card Warning - 120VDC model



SPMC1201, SPLC1200 and SPLC1202 models - Hazardous Voltage - 120 V Battery

Expansion card connects to both Hazardous and Safety Extra Low Voltage (SELV) wiring. The connector and wiring to J4 (marked with RED on card) MUST be treated as Hazardous and be physically segregated from other wiring connected to expansion card.

Protective cover MUST be installed on the Expansion card.



Current Shunt Wiring



SPMC1201, SPLC1200 and SPLC1202 models - Hazardous Voltage - 120 V Battery

Current shunts connections are both internally and externally connected to battery negative terminal and MUST be treated as Hazardous. Double insulated sense cabling MUST be used.



DC Shunts MUST be installed into the battery negative lead. Ensure that the shunt ONLY measures the renewable or other DC load current and not any current feeding to or from the inverter.

The sense wires for the externals shunts should be fed up through the appropriate gland and terminated to the SP PRO expansion card. The sense cabling should be kept as short as possible. Any multi conductor multi strand cable is suitable for shunt sense wiring so long as the insulation is rated appropriately for the battery voltage. Remember that these small cables are connected to battery negative and an inadvertent short circuit with either lead to battery positive would short circuit the battery bank. It is recommended that both these wires be fused.

The polarity of these shunt sense leads is not important if they are configured to either “Load” or any of the input selections, such as “Solar”; however polarity is important when using the shunt in “Dual” mode – that is where the shunt is used for both input and output measurement to obtain a nett result.

In “Dual” mode, the sense leads must be connected correctly – expansion card shunt terminal 1A or 2A to the solar and load side, 1B or 2B to the battery negative side.

For More information please see “TN0045_xx SP PRO Shunt Installation” document available on the support page of the Selectronic web site: www.selectronic.com.au

Battery Temperature Sensor



SPMC1201, SPLC1200 and SPLC1202 models - Hazardous Voltage - 120 V Battery

Battery temperature sensor is internally connected to battery negative terminal and MUST be treated as Hazardous. Sensor cable is double insulated.



The battery temperature sensor is not required when installing managed batteries. The battery temperature is read by the BMS and sent to the SP PRO via the communications link.

The battery temperature sensor is pre-wired to the expansion card and must be installed in thermal contact with the centre of a side of a battery and insulated from external temperature effects for accurate charging. If the cable provided is not long enough it may be extended. Polarity of the cable is not important.

A small piece of the foam cut from the inverter’s packing material can be used to both wedge the temperature sensor in place and insulate it from external temperature effects (see insert below).



Battery Wiring (DC) Preparation

The below schematic diagram shows the main battery isolator, battery sense / pre-charge isolator and included temperature sensor.



It is recommended that the Battery Sense / Precharge connections are used and wired directly back to the battery bank terminals. If not then the SP PRO Battery S+ and S- terminals must be connected to B+ and B- respectively.



For 120V battery systems, suitable earth leakage detection must be installed. The AERL EarthGuard is suitable for use with the 120V SP PRO inverter. For installation information go to www.aerl.com.au

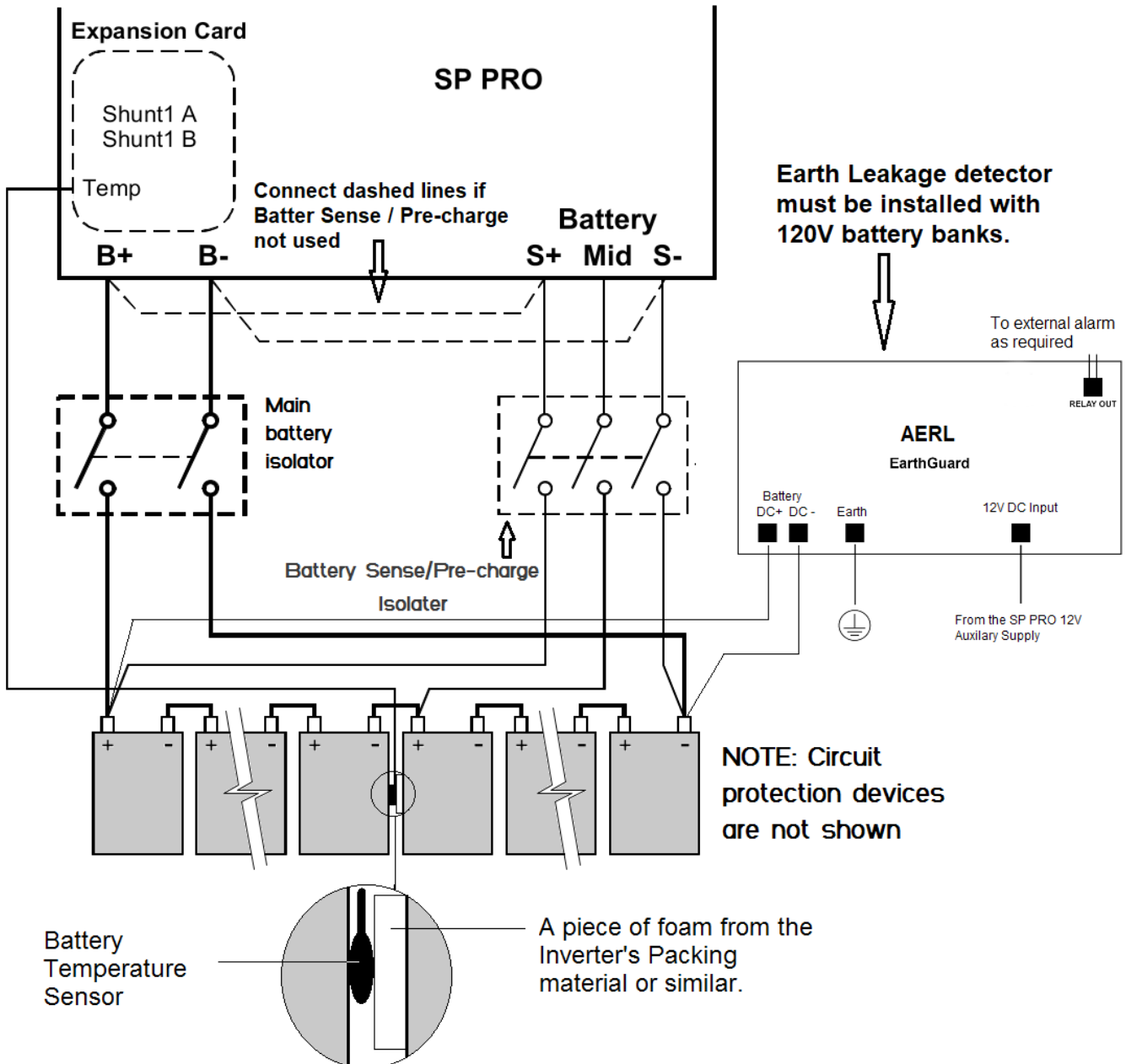


Diagram given as a reference only. Please ensure all wiring complies with relevant safety standards.



AC Wiring



The SP PRO is overvoltage category III meaning that it must be a fixed installation connected either downstream of (customer's side) or directly to the main switchboard.

WARNING: Copper wiring must be used throughout.

The SP PRO does not contain internal circuit breakers or fuses. The AC wiring must be fitted with appropriate fusing or circuit breakers.

The AC cabling should be sized according to maximum demand through (consumed by the AC Load) and simultaneously consumed by the SP PRO (consumed by the charging of batteries). The SP PRO is fitted with terminals which are suitable for accepting up to 35 mm² (50 mm² for SPLC models) cables. The SP PRO is rated to 63 A (125A for SPLC models) current capacity and must be protected externally with circuit protection device(s) of no greater than this.

AC wiring should be fed up through the appropriate gland and terminated to the SP PRO.

Connect the AC load wiring to the SP PRO: earth, neutral and active stripped back according to the table below and connected to the AC load terminals.

Connect the AC source wiring to the SP PRO: earth, neutral and active stripped back according to the table below and connected to the AC Source terminals.



Multiple Hazardous Energy Sources

AC wiring is fed from multiple sources. Care must be taken to ensure that under no circumstances could a user access or touch wiring, even after opening all circuit breakers.

Earth Wiring



It is critical that all protective earth connections made within the SP PRO use the protective earth terminal. This is the earth terminal that is on the right hand side of the AC terminals and marked with a earth symbol enclosed in a circle.

The inverter shall be earthed to the installation's Earth system. A minimum copper earthing conductor no less than the size in the table below, shall be used. See the local regulations for further information on earthing conductor size.

Earth the inverter by connecting earth wiring from the switchboard to the inverter Earth terminal. The SP PRO is suitable for Multiple Earth Neutral systems.

	Cable and CB sizing for AC wiring - SP PRO						
	SPMC240	SPMC241	SPMC480	SPMC481	SPMC482	SPMC1201	SPLC1200, SPLC1202
Maximum AC CB rating	63A 6kA C curve	63A 6kA C curve	63A 6kA C curve	63A 6kA C curve	63A 6kA C curve	63A 6kA C curve	125A 10kA C Curve
AC Terminal size	35 mm ²	35 mm ²	35 mm ²	35 mm ²	35 mm ²	35 mm ²	50 mm ²
Strip length for AC terminals A and N	18mm	18mm ²	18mm	18mm	18mm	18mm	18mm
Strip length for Earth terminal	12mm	12mm	12mm	12mm	12mm	12mm	16mm
Min. Earth cable size	6 mm ²	6 mm ²	6 mm ²	6 mm ²	6 mm ²	6 mm ²	16 mm ²
Terminal Torque settings	3.2-3.7 Nm	3.2-3.7 Nm	3.2-3.7 Nm	3.2-3.7 Nm	3.2-3.7 Nm	3.2-3.7 Nm	6.0-8.0 Nm

Table given as a reference only. Please ensure all wiring complies with relevant safety standards.



Residual Current Device (RCD) Type Recommendation

The SP PRO produces a low distortion sine wave output via 50/60 Hz isolation transformer. This topology ensures that the output is sinusoidal and that there is no DC component associated with the SP PRO AC supply. Standard Type AC RCDs are suitable for use with an SP PRO. Other types of RCDs may also be used. The current rating of the RCD to suit the CB protecting that particular sub circuit.

AC Wiring Preparation

The intended application and use of the SP PRO must be well understood to allow the SP PRO to be appropriately connected to the installation. How the SP PRO is wired into the switchboard is dependent on whether all the installation's loads or only essential loads are to be supplied by the SP PRO for tariff optimisation, self consumption or battery backup.

The below diagram shows AC wiring only and indicates the customer circuits; some of which are battery back-up protected, some are grid supply only.

Attention must be paid to the Neutral conductor and connection through to the loads. The neutral conductor connecting to the loads must be maintained such that operation of the inverter isolator would not alter the bonding between Neutral and Earth.

The Neutral conductor must remain connected through to the loads and particular care should be taken with the placement of RCDs. These devices open both Active and Neutral conductors thus the SP PRO must be installed on the grid side of these devices.

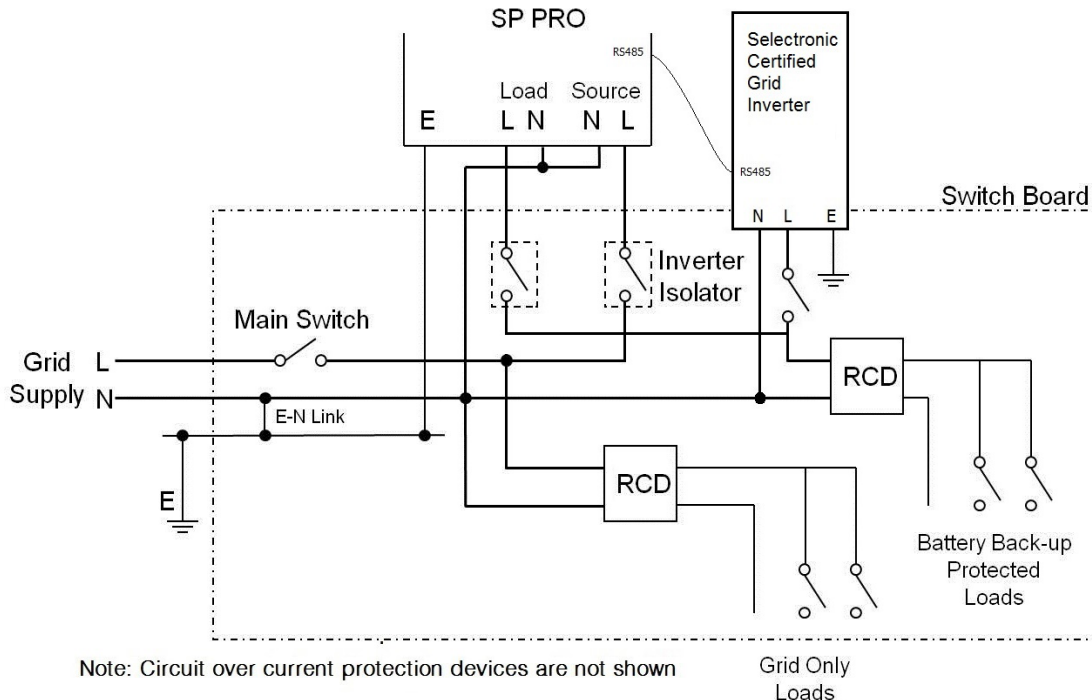


Diagram given as a reference only. Please ensure all wiring complies with relevant safety standards.

Backup Generator (Advanced Feature) Control Wiring

When a backup generator is installed, control wiring should be fed up through the appropriate gland and terminated to the SP PRO Expansion card. The minimum required is one pair of wires for a generator run signal which must be wired to one of the four relay outputs. "CAT5" type cabling or any multi conductor multi strand cable is suitable for all control wiring. The Expansion Card can be plugged in and out of the SP PRO for ease of wiring.



Serial Port Connection

The communication cable can be attached to either the USB or DB9 connections on the lower panel.



Both the USB and DB9 ports may be used concurrently.
Battery power must be connected to be able to communicate with the SP PRO.

Gland Plate Fit out



To maintain the IP rating and safety approval of the SP PRO, all gland plate holes must be completely filled and all gland plates fitted correctly. Any gaps, including empty gland holes, are entry points for vermin and could effect thermal performance.

Gland plates supplied with the SP PRO have “knock outs” for ease of installation. Please do not “knock out” any unused gland holes and ensure all used holes have gland nuts (supplied) fitted.

Initial Start up Procedure

Before turning on the SP PRO:

- Check all connections, paying particular attention to correct polarity, tightness and that no insulation is caught in terminals. Give each cable a firm tug to ensure they are securely fitted.
- When satisfied everything is well, attach the terminal cover plate and insert and secure the expansion card.
- For SPMC1201, SPLC1200 and SPLC1202 models - Protective cover **MUST** be installed on Expansion card.
- Close the battery sense / pre charge circuit breaker/fuses and wait until all indicators are lit and stable.
- Close Main battery circuit breaker/fuses.
- The SP PRO must be configured prior to initial turn ON. The SP PRO wont start unit it is configured.
- Press ON button (long press > 1 second) once. The AC Load indicator will be steady blue.
- Start using the SP PRO by switching on external AC circuit breakers.



For SPMC1201, SPLC1200 and SPLC1202 models - Check protective cover is installed on Expansion card.

- Replace cover and secure with two screws from below.

Labelling


Regulations mandate the application of warning and control labels to the various circuit breakers, isolators and switch boards in the installation.

The SP PRO will continue to provide power to the load upon interruption of mains supply. Warning signs must indicate which circuits or switchboards operate in this manner.

The installer must place the following warning at the inverter terminals and isolators external to the inverter.

Before working on this circuit

- Isolate uninterruptible power system (UPS)
- Then check for hazardous voltage between all terminals including the protective earth



Risk of voltage backfeed



Installation-System Configuration

Chapter Four



This section details the extra information needed to install and configure standard system configurations. It is imperative that the installation details in the previous section have been followed before proceeding with the relevant installation instructions in this section.

Powerchain

Powerchain gives the SP PRO the capability to be configured as either a single phase power system with up to four SP PROs or a three phase configuration with up to twelve SP PROs (four per phase). A Split phase system with up to eight SP PROs is also possible.

All the SP PROs connected in a Powerchain system operate as one making the system easy to install, configure, control and monitor through one session of SP LINK.

Everything required to configure the SP PRO in a Powerchain system comes standard with every SP PRO series 2i inverter.

For more information on installing a Powerchain system see:

“IN0057_xx Installation of an SP PRO Powerchain system” on the support page of the Selectronic website at: www.selectronic.com.au.

Managed Battery Preparation

The SP PRO is compatible with a number of managed battery systems (Batteries that require communications between the battery BMS and the SP PRO). Check the Selectronic web site for a list of compatible managed batteries.

For full installation details of a managed battery see “IN0051_xx 005293 Installation of Managed Batteries” available on the Selectronic web site



Use the Site configuration Wizard in SP LINK when designing a system with managed batteries. This will ensure a valid combinations of system components.

Always use the Site configuration Wizard in SP LINK when configuring the SP PRO with managed batteries.



Managed AC Coupled Preparation

For full installation details see the following documents:

ABB UNO SCERT Managed AC coupling - "IN0053_xx 005312 SP PRO ABB UNO Managed AC Coupling Installation Notes"

Fronius SCERT Managed AC coupling - "IN0049_xx 005273 Installing a Fronius SCERT in a Managed AC Coupled system".

Also see the SP LINK "Site Configuration Wizard" which will assist in the configuration of the Managed AC coupled system.

The latest versions of documents and SP LINK are available from the Selectronic website:
www.selectronic.com.au.

The SP PRO Managed AC Coupling provides a method of linking any of the Selectronic Certified grid tie inverters to the SP PRO via the AC Load supply so that regardless of whether the grid or a generator is connected, the SP PRO can manage and control the Selectronic Certified grid tie inverters.

Each SP PRO can manage a maximum of five Selectronic Certified grid tie inverters by commanding each to output the right amount of power that is needed to simultaneously supply the load, export any excess and maintain the battery bank at any particular point in time. This is done via a communications link which also serves to retrieve all the operational data for display and logging by the SP PRO.

Please note that the SP PRO will not export active power to the grid.

Minimum Battery capacity for Managed AC coupling

When designing a managed AC coupled system, it should be noted that there are limits on the installed capacity of the AC coupled inverters based on battery type and size, as well as the SP PRO capacity.

The Site configuration Wizard in SP LINK gives the maximum allowable output power of all the Selectronic Certified grid inverters and the minimum battery size for a Managed AC Coupled systems.



When designing a system, use the Site configuration Wizard in SP LINK to determine the ideal match between battery type and size and the output of the Selectronic Certified grid inverters.

The Site Configuration wizard will also calculate and configure the "Islanding Power Limit" parameter within the SP PRO, limiting the maximum output power of the managed AC coupled solar inverters during islanding.

Communications between SP PRO and Selectronic Certified inverters

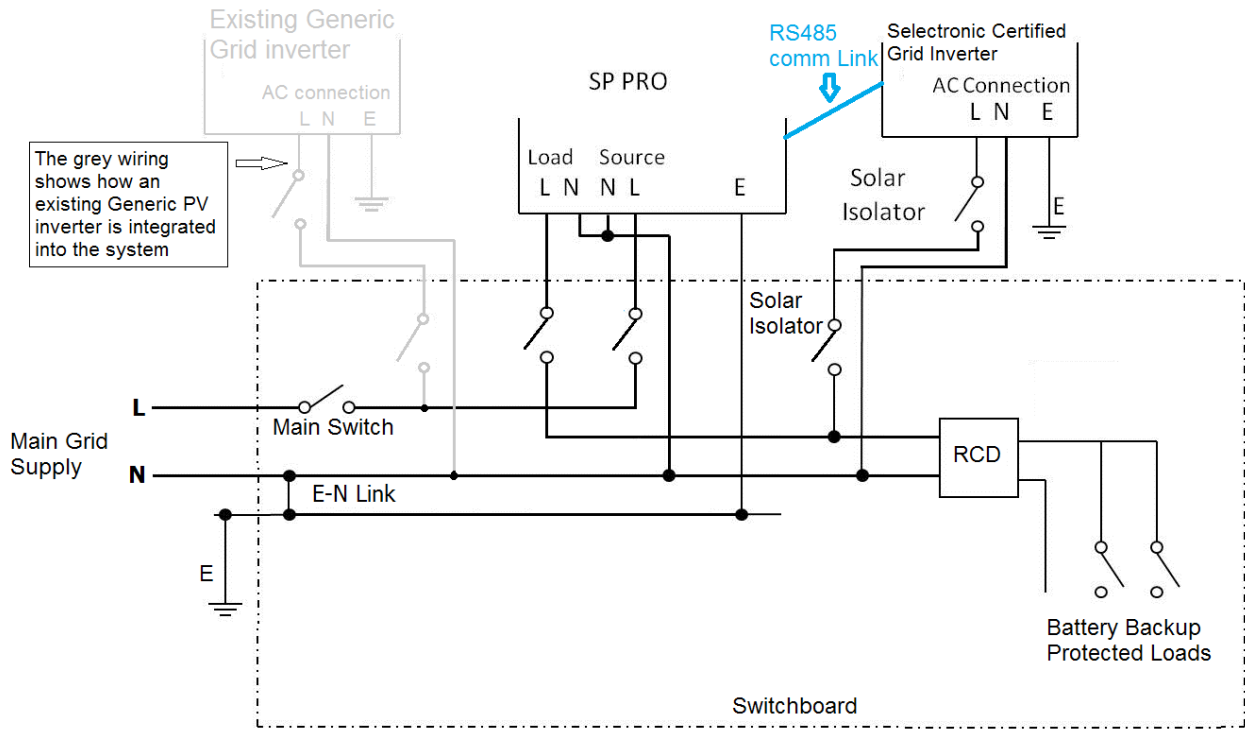
The RS485 Communications links between the SP PRO and Selectronic Certified inverters can be either wired link (using Cat 5 cable) or a wireless link (Using the Optional Selectronic wireless RS485 link, stock code 005075 for Fronius SCERT, 005316 for the ABB UNO SCERT, or 005326 for SelectSun).



Line diagram for single phase managed AC coupling

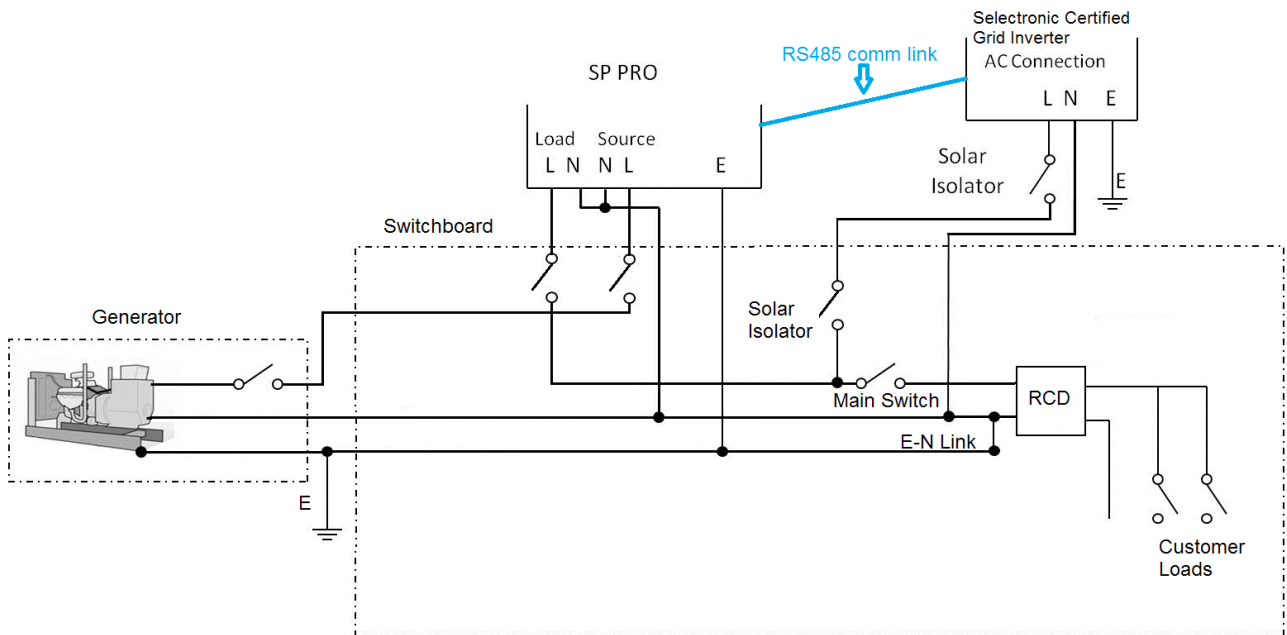
The below diagrams detail the AC wiring requirements for Managed AC coupled systems.

Please note that when a Solar Hybrid, Managed AC coupled system is installed with an existing grid connected PV system that has another brand of grid inverter (generic grid inverter) then the generic inverter is connected on the grid side of the system (See diagram below). If there is no existing grid inverter then ignore the grey wiring on the diagram below.



Line diagram for Managed AC coupling - Solar Hybrid (Grid Connected) System

Diagram given as a reference only. Please ensure all wiring complies with relevant safety standards.



Line diagram for Managed AC coupling - Off Grid System

Diagram given as a reference only. Please ensure all wiring complies with relevant safety standards.



Generic AC Coupled Preparation

For full installation details see document “IN0034_xx SP PRO Generic AC Coupling installation notes” and SP LINK “Site Configuration Wizard”. available from the Selectronic Web site: www.selectronic.com.au

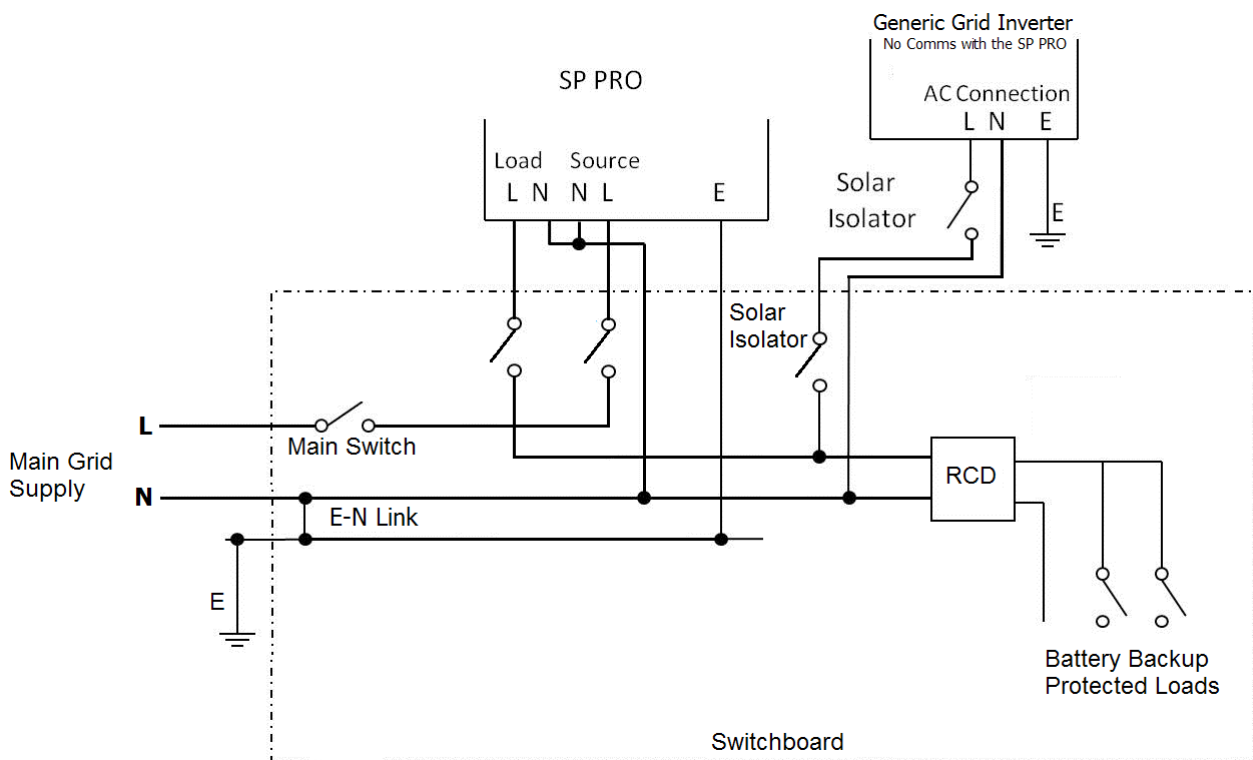
To successfully install a SP PRO generic system, there are particular system requirements that need to be met.

- Combined maximum AC output of all the connected generic inverters must not exceed the continuous SP PRO output power rating.
- Battery bank must be sized to suit the SP PRO model and the combined maximum AC Output power of the generic inverters.
- SP PRO generic AC coupling is only suitable for grid connected systems.
- SP PRO generic AC coupling cannot control any grid export limits.
- The Grid Disconnect function in the Solar Hybrid Control must not be used.

Please note that the SP PRO will not export active power to the grid



When designing a Generic AC Coupled system, use the Site configuration Wizard in SP LINK to determine the ideal match between battery type and size and the output of the grid inverters.



Line diagram for Generic AC coupling - Solar Hybrid System

Diagram given as a reference only. Please ensure all wiring complies with relevant safety standards.



Powerchain - Three Phase Preparation

A three phase system may be configured using up to twelve SP PRO inverters.

For detailed information on preparing for a Three phase installation, please refer to the document "IN0057_xx Installation of a Powerchain system" on the support page of the Selectronic website at: www.selectronic.com.au.

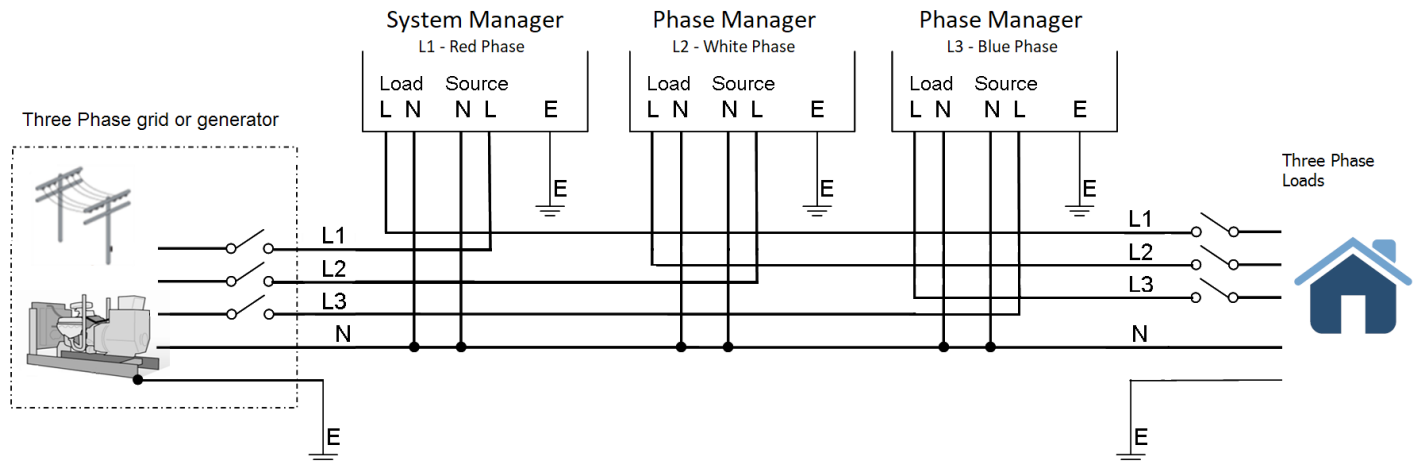


Diagram given as a reference only. Please ensure all wiring complies with relevant safety standards

Powerchain - Split Phase Preparation

A split phase system is suitable for connection to a 480V split phase grid supply that is commonly found on Single Wire Earth Return (SWER) line feeds.

Installing a split phase system is possible using up to eight SP PRO inverters.

For detailed information on preparing for a Split phase installation, please refer to the document: "IN0057_xx Installation of a Powerchain system" on the support page of the Selectronic website at www.selectronic.com.au.

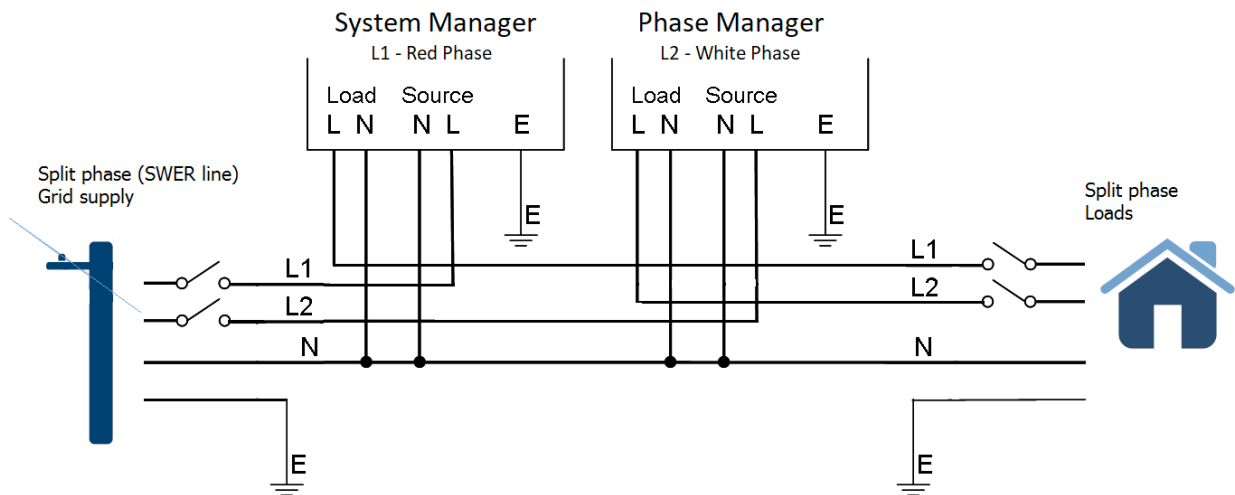


Diagram given as a reference only. Please ensure all wiring complies with relevant safety standards.



DC Coupled Charge Controller Preparation

Before a DC coupled (charge current fed directly to the battery bank) renewable energy charge controller is installed and integrated into the system the following requirements must be adhered to:

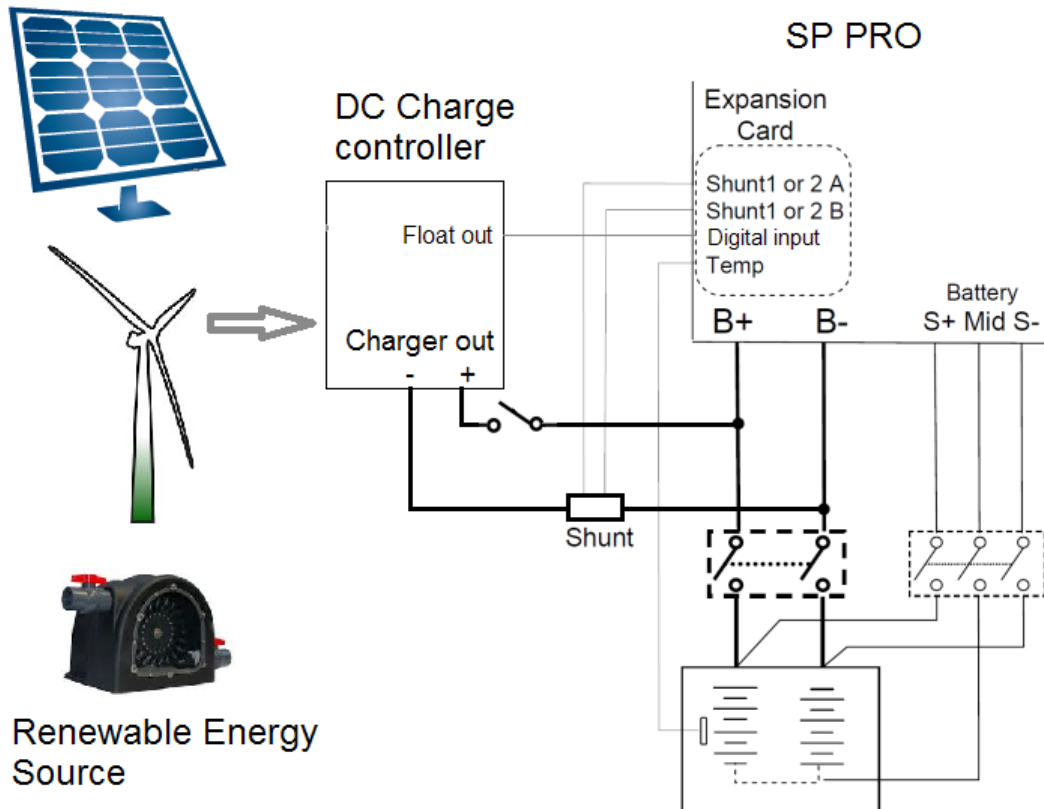


- All DC coupled charge sources must be fed to the battery bank via an optional current shunt.
- All DC coupled charge controllers must have either an output that is activated when the charge controller reaches float OR an input that triggers the charge controller to a float charge state.--
- The SP PRO will not export active power from any DC coupled changing sources to the grid

Failure to install a current shunt or charge stage linking will reduce the performance and result in non -optimal operation of the system, preventing accurate State of Charge control or tracking.

For more detail on installing and integrating a DC charge controller refer to the relevant document in the table below The latest versions of all documents can be found on the support page of the Selectronic website at www.selectronic.com.au

Document Number	Document Name	Applicable charge Controller
TN0045	SP PRO Shunt Installation	All Charge controllers
AN0002	SP PRO Renewable Regulator Integration	All Charge controllers
TN0033	SP PRO Outback Flexmax 60-80 Regulator Float Integration	Outback Flexmax 60/80 regulator



Line diagram for DC Coupled Charge Controller Integration

Diagram given as a reference only. Please ensure all wiring complies with relevant safety standards.



Installation-Ancillary Components

Chapter Five



Inputs and Output

All SP PRO models come standard with four digital inputs, three digital outputs and four relay outputs. Additionally the 24V and 48 V models include two analogue inputs.

Each input and output is fully programmable and can be used to provide advanced functionality.

The ratings of the digital inputs and outputs are tabulated below

Digital Inputs (x4)	Maximum input voltage 60 V DC Active when input > +10 VDC, Inactive when input < +3 VDC
Analogue Inputs (x2, 24 and 48V models only)	Input voltage range 0-60 VDC
Relay Outputs (x4) N/C and N/O dry contacts	Maximum control voltage 60 VDC Maximum control current 500 mA DC (Limited by internal current protection)
Digital outputs (x3)	Maximum control voltage 60 VDC Maximum control current 5 mADC

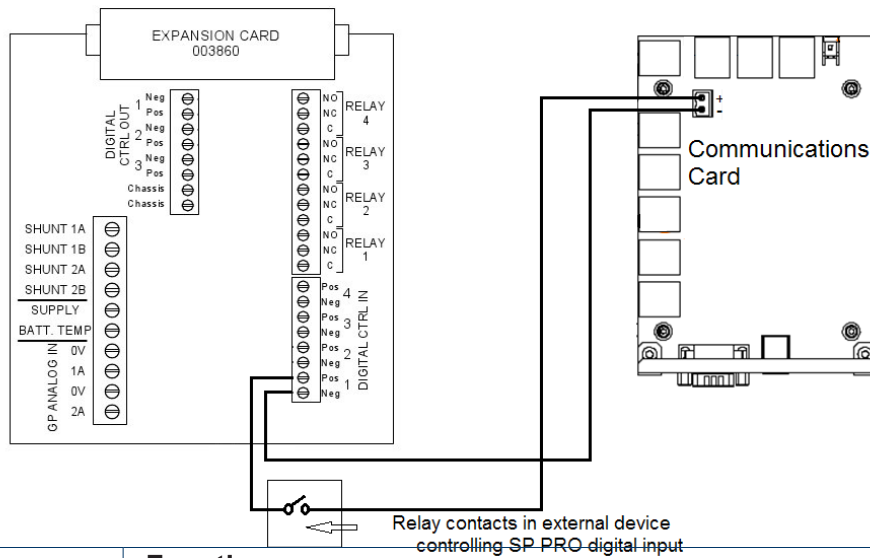
Analogue Inputs

The 24V and 48V SP PRO inverters have 2 analogue inputs that are logged and that can be used to control a digital or relay output based on set input voltages. Their logged data is included in the Performance Data download.

Digital Inputs

Each SP PRO has an internal 12V 0.8A supply on the communications card, which is suitable for controlling the SP PRO digital inputs. The schematic below demonstrate the connections for controlling a digital input from dry contacts on an external device.

The table below lists all of the functions available for digital inputs on the SP PRO inverter. All the settings are in the “Inputs / Outputs” tab under “Configuration settings”. (for more information see the SP LINK manual.)



Setting name	Function
Low Batt Shutdown Override Input	Forces the inverter to run after a low voltage shutdown. Used in an emergency to keep power running. NOTE: This function should only be used in an emergency as it may take the battery bank to a point where it cannot be recovered rendering the batteries unserviceable.
Normal/Alternate AC Input Power Selector	Selects a second AC Source with a different capacity to the primary AC Source, such as a second generator of different capacity. This input is not available when a Grid Fail Generator Backup option is installed.
Shutdown Input	Turns off the inverter section of the SP PRO (Idle mode) to prevent charging or discharging of the battery system by the SP PRO. In a grid connected system, If the grid is present then grid is passed through to the load to maintain power. In an off grid system with an auto start generator, the generator is started to maintain power to the system.
Digital Control Input	Controls a Relay output or digital output in the SP PRO
Generator Remote Start Input	Remote control to start an Auto start generator that is connected to the SP PRO
Generator Available Input	When inactive, prevents the SP PRO from starting an Auto start generator that is connected to the SP PRO
Generator Low Fuel input	When active will initiate a low fuel alarm
Generator No Fuel input	When active will either stop the generator or prevent it from starting
Generator Fault input	When active will either stop the generator or prevent it from starting
Initial stage input	Causes the Battery charger in the SP PRO to drop to the Initial stage
Bulk stage input	Causes the Battery charger in the SP PRO to drop to the Bulk stage
Absorb stage input	Causes the Battery charger in the SP PRO to drop to the Absorb stage
Float stage input	Causes the Battery charger in the SP PRO to drop to the Float stage
Equalise stage input	Causes the Battery charger in the SP PRO to drop to the Equalise stage
Grid Available Input	In a single phase system - Used with the Grid Fail / Generator Backup option to tell the SP PRO the grid is back.
Activation Input (Solar Hybrid priority activation)	Each of the Solar Hybrid priorities can be configured to be activated by either time or via one of the digital inputs. See SP LINK manual for more details

Digital and Relay Outputs

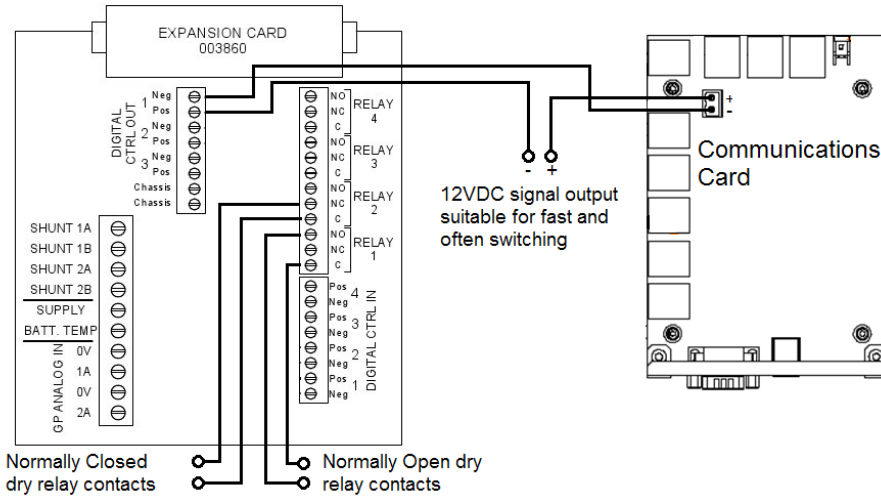
Each relay output has a normally open and normally closed set of dry contacts. These can be used directly to



control devices requiring on/off type control. Each relay output is isolated from the next. If a 12V control signal is required then the relay output can be used to switch the internal 12V 0.8A supply on the communications card. The schematics below demonstrate some connection options for controlling an external device.

Each Digital output is an “open collector” switch and is polarity sensitive. This is an electronic switch making it suitable for fast and often switching functions

The table below lists all of the functions available for digital and relay outputs on the SP PRO inverter. All the settings are in the “Inputs / Outputs” tab under “Configuration settings”. (for more information see the



SP LINK manual.)

Setting name	Function
Analogue Control Output	Output is controlled by voltage levels on an analogue input.
Generator Run output	Provides a constant output to start and run an auto start generator.
Generator Start output	Provides a pulse output to start or stop an auto start generator.
Alarm Output	Output becomes active when the SP PRO is in alarm condition.
AC Load Energy Output	Output becomes active when a set Daily Load kWh is exceeded
AC Load Power Output	Output becomes active when a set Load kW is exceeded.
External Regulator Bypass Output	Used to control an external relay that will bypass the DC charge controller when system connected to the grid
External Regulator Control Output	Provides a PWM signal to control an external solar regulator.
AC Coupled Inverter Output	Controls a Solid State relay that turns off a generic AC coupled inverter when the grid has failed and the battery voltage reaches its charge target.
External AC Contactor Control Output	Becomes active when the AC Source contactor opens. Used to drive an External AC source contactor or as an AC source failure output.
AC Source in Tolerance Output	Output becomes active when the AC source voltage and frequency are in tolerance.
High Battery Alert Output	Becomes active when the battery voltage reaches the Hi Battery Alert set point.
Battery SoC Output	Output is controlled by battery SoC set points.
Battery Voltage Output	Output is controlled by battery voltage set points
Initial Stage Output	Is active when the SP PRO charger is in the Initial stage.
Bulk Stage Output	Is active when the SP PRO charger is in the Bulk stage.
Absorb Stage Output	Is active when the SP PRO charger is in the Absorb stage.
Float Stage Output	Is active when the SP PRO charger is in the Float stage.
Equalise Stage Output	Is active when the SP PRO charger is in the Equalise stage.
Timed Assert Output	Driven by four time-of-day and day-of-week schedules
Backup Select Output	Used to control the contactor in the Grid Fail / Generator Backup Option,



External AC Source contactor

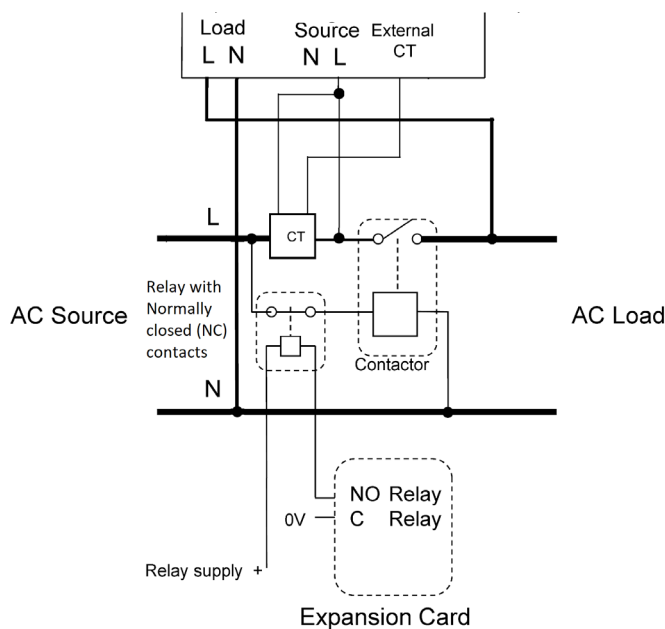
An external AC source contactor and AC source current transformer (CT) must be fitted when:

1. The maximum transfer current is greater than the rating of the SP PRO (63A or 63A per phase for SPMC models and 125A or 125A per phase for the SPLC models) or
2. The system is a multi-phase Powerchain with more than one SP PRO per phase.

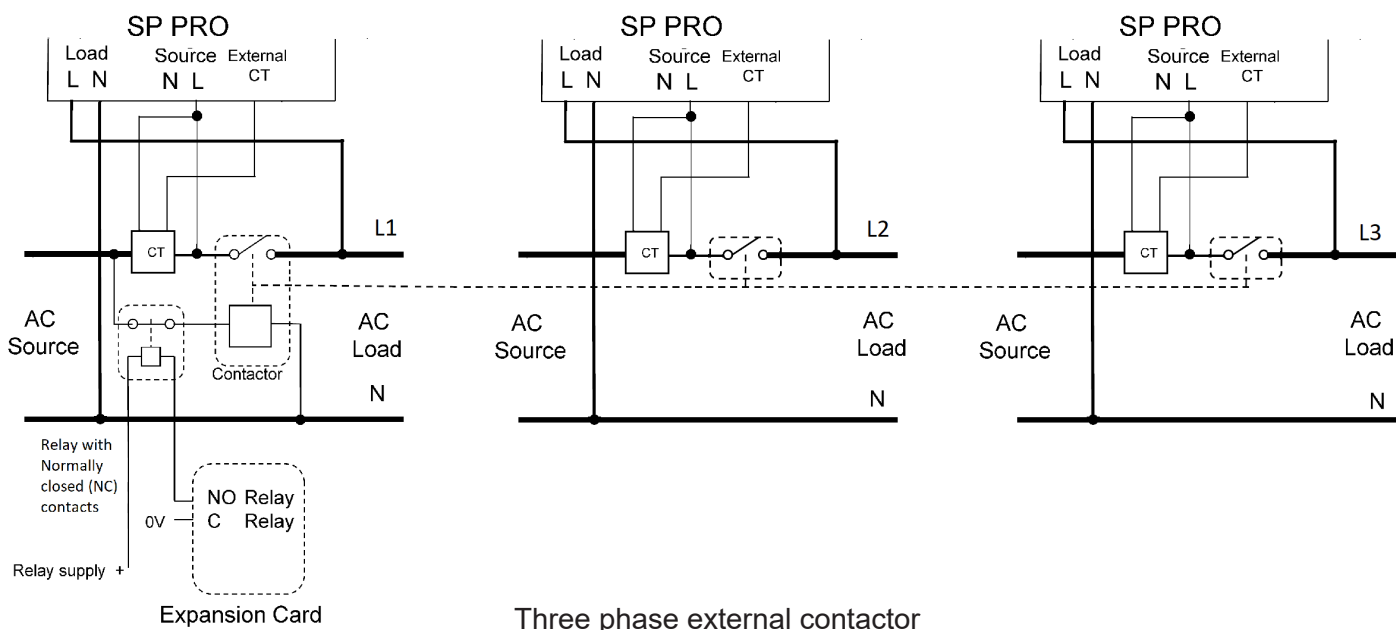
With an external contactor, transfer currents of up to 1,000A (or 1,000A per phase) are possible.

The diagrams below show the wiring for an external contactor in a single phase configuration and three phase configuration. The 12V supply on the SP PRO Comms card may be used as the relay supply when a relay with a 12V coil is used.

For more detailed information please see “TN0057_xx SP PRO External AC Source Contactor Option” available from the selectronic web site: www.selectronic.com.au.



Single phase external contactor



Three phase external contactor

Diagrams given as a reference only. Please ensure all wiring complies with relevant safety standards.



Adding a backup Generator (Solar Hybrid only)

With the optional Grid Fail / Generator Backup kit (Stock Code 005268) an auto start backup generator can be added to a SPMC model (24 and 48V only) of the SP PRO in a single phase or Three Phase Solar Hybrid (grid connected) system with only one SP PRO per phase.

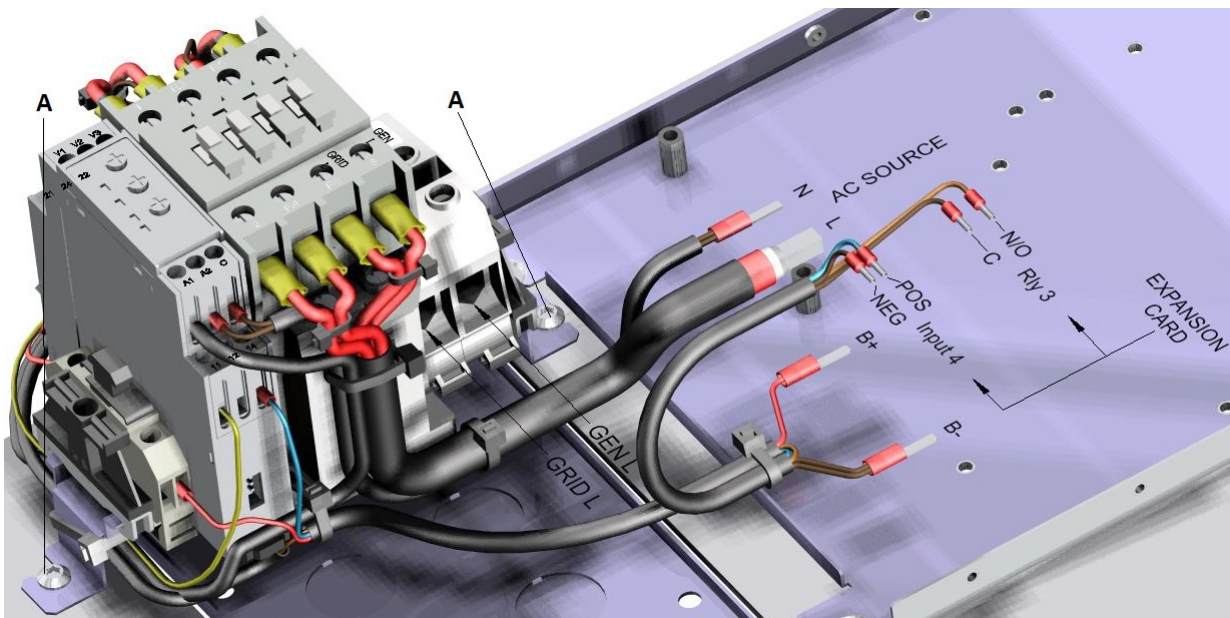
When the grid fails the customer's load power will be supplied from the battery bank until either the load becomes too large for the system or the battery reaches a set SoC. At that point the generator will start to run the loads and charge the battery bank. The generator will continue to run until either the battery bank has recharged or grid power has been restored.

For more detailed information please see "IN0020_xx 004799 SP Grid - Gen Backup Installation Notes" supplied with the Grid Fail / Generator Backup kit, or from the selectronic web site:

www.selectronic.com.au.



NOTE: A Grid Fail / Generator backup kit is not required when adding a generator to an Off Grid system.



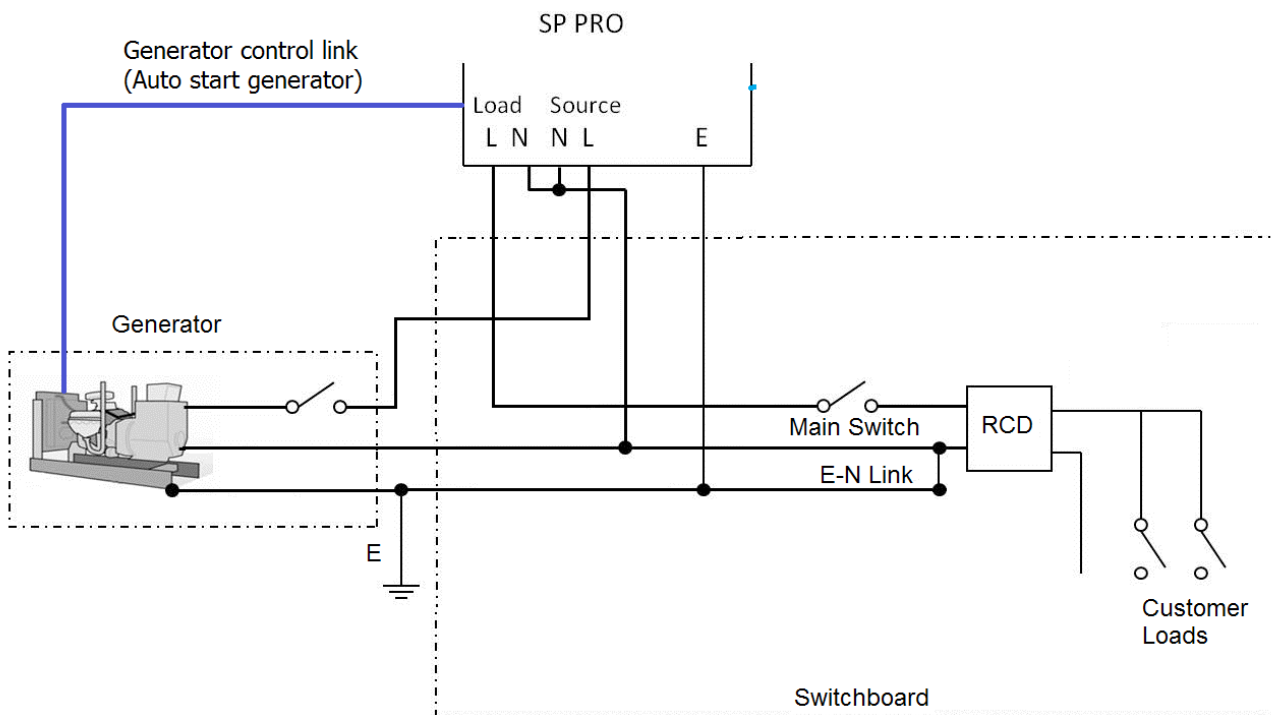


Adding a Generator (Off Grid only)

No extra hardware is required when adding a generator to an Off Grid system. It is strongly recommended that a generator be incorporated in an Off Grid system to ensure availability of supply under unexpected conditions.

The SP PRO may be configured to automatically control a generator in an Off Grid power system. The generator may be automatically started by the SP PRO as required to supply the load and charge the battery bank or be configured to allow manual control of the generator by the user. Automatic control of the generator is strongly recommended for daily operation.

The line diagram below shows the AC connections for the generator. The generator control link can be set up as a 2 wire or 3 wire configuration. For more information on the control wiring please see document "TN0025_xx SP PRO Generator Controller Wiring Guide" Found on the Selectronic Web site.



Line diagram for auto start generator - Off Grid System

Diagram given as a reference only. Please ensure all wiring complies with relevant safety standards.



Installation-Communications

Chapter Six

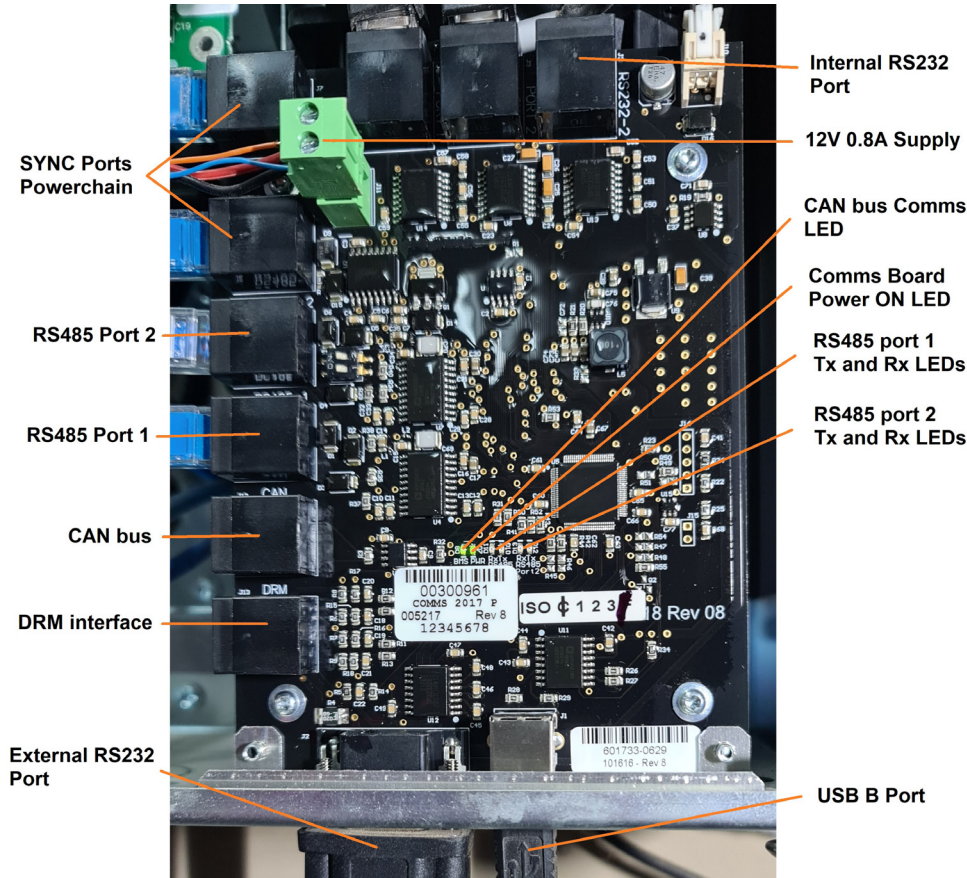


Communications Overview

All SP PRO series 2i inverters come standard with a number of communications interfaces for connection to external system components.

To further enhance the communication capability of the SP PRO a number of optional communication devices are available.

Communications Port Functions



Port name	Port Function
Sync Ports(RJ45)	SYNC 1 and SYNC 2 ports are used for inter inverter communications in Powerchain.
RS485 Port 2 (RJ45)	Used to communicate with up to five Selectronic Certified grid inverters (SCERT) in a managed AC coupled system. See “Managed AC Coupled Preparation” on page 29
RS485 Port 1 (RJ45)	Used to communicate with managed batteries that use MODbus over RS485 or to read and write MODbus commands to the SP PRO. Contact Selectronic for details.
CAN bus (RJ45)	For Communication with managed batteries that use CAN bus communications. See the Selectronic Web site for a list of compatible batteries.
DRM interface	RJ45 interface that provides all the DRM functions as outlined in AS4777.2 - 2020.
Internal RS232 Port (RJ45) and External RS232 Port (DB9)	There is only one RS232 port in the SP PRO series 2i which can be configured to come from either the External RS232 (DB9) port OR the Internal RS232 Port (RJ45). Decide which connection is most convenient for your installation then configure the SP PRO accordingly. The default configuration is the External RS232 Port (DB9). See Appendix A - Specifications for RS232 pinouts.
USB B Port (USB type B)	Provides USB communications with the PC computer running SP LINK via the supplied USB cable. SP LINK software is free and on the Selectronic Web site.
12V 0.8A Supply	User power supply to operate external devices. Rated at 12V 0.8A max
CAN bus Comms LED	Flashes when CAN bus communications is operating correctly on a managed batteries. On constantly when there is problem with CAN bus communications or when it is not used.
Comms Board Power ON LED	On constantly when the Communications board is powered up and functioning
RS485 port 1 Tx and Rx LEDs	Shows the status of the RS485 port 1 transmit (Tx) and receive (Rx) signals. Tx will flash when the SP PRO is sending data to the port. Rx will flash when data is being received from the port.
RS485 port 2 Tx and Rx LEDs	As above but for RS485 Port 2. When managed AC coupled is configured correctly, both the Tx and Rx LEDs will flash. When only the Tx LED is flashing, the SP PRO is communicating correctly and there is a problem external to the SP PRO. Check the communications cables to, and the connections and configuration of the Selectronic SCERT.



Select.live Remote Monitoring

Select.live (Stock code 005283) is an optional communications interface that connects the SP PRO inverter to the Selectronic select.live portal via WiFi or wired Ethernet.

Once installed, the SP PRO based system may be monitored remotely from any web enabled device. Only one Select.live, connected to the System Manager, is required to monitor an entire Powerchain installation.

Select.live also provides a gateway to allow remote access to the SP PRO or Powerchain system via SP LINK software for system diagnostics, configuration enhancements and firmware updates.

Installer access may also be granted by the owner to allow maintenance of the system by the installer as required. The Owner of the system is always in control of the installer access which can be turned on and off as required.

For more information go to select.live





SP PRO Ethernet Adaptor

Connecting to a LAN

Using the optional Ethernet adaptor (Stock code 005081), the SP PRO can be connected into a Local Area Network (LAN). Any PC running SP LINK that is connected to the same LAN can have access to the SP PRO.

For more detailed information please see “IN0031_xx SP PRO Ethernet adaptor for LAN connection”, from the selectronic web site: www.selectronic.com.au.



Connecting to the Internet

Once the Ethernet Adaptor is connected to the LAN and access is established, the SP PRO can be remotely accessed by any PC that is connected to the Internet. The configuring of the router to achieve remote access can be carried out by a person who is familiar with general router and gateway configuration plus operation of Domain Names Servers (DNS).

For more detailed information please see “TN0028_xx SP PRO Communications - Internet Connectivity”, available from the selectronic web site: www.selectronic.com.au



Select.live is a more convenient and preferred method of remotely accessing the SP PRO via SP LINK.



Installation-Configure with SP LINK

Chapter Seven



Overview

“SP LINK is the pathway to the real power of the SP PRO”

SP PRO is suitable for either Solar Hybrid (grid connected) or Off Grid (no grid power) power systems with either a single SP PRO or Powerchain configuration, and can be easily configured to suit any application.

Use the SP LINK Site Configuration Wizard in the Easy Start Guide to assist with the design and configuration of an SP PRO single inverter or Powerchain system. The Site Configuration wizard will ensure compatibility between all of the system components and provide a configuration to suit.

More complex functionality may be added as required using Advanced Configuration .

The latest version of SP LINK software is available from the Selectronic website at: www.selectronic.com.au.

We strongly suggest that SP LINK is installed on your PC before going to the installation site.



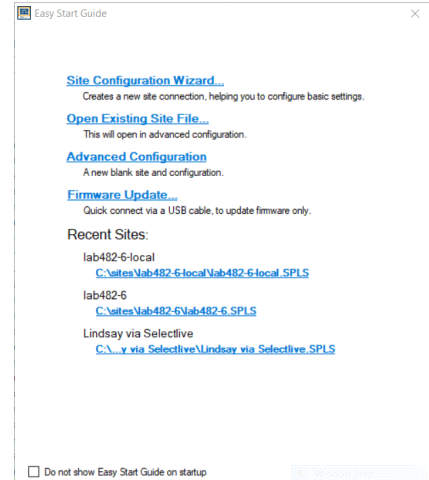
This section of the SP PRO manual is an introduction to SP LINK. For detailed information on SP LINK, please consult the SP LINK manual found in the HELP menu within the SP LINK program.

Configuring The SP PRO For All System Configurations

By installing and running the latest version of SP LINK, all standard Systems Configurations can be quickly and easily created and configured into the SP PRO.

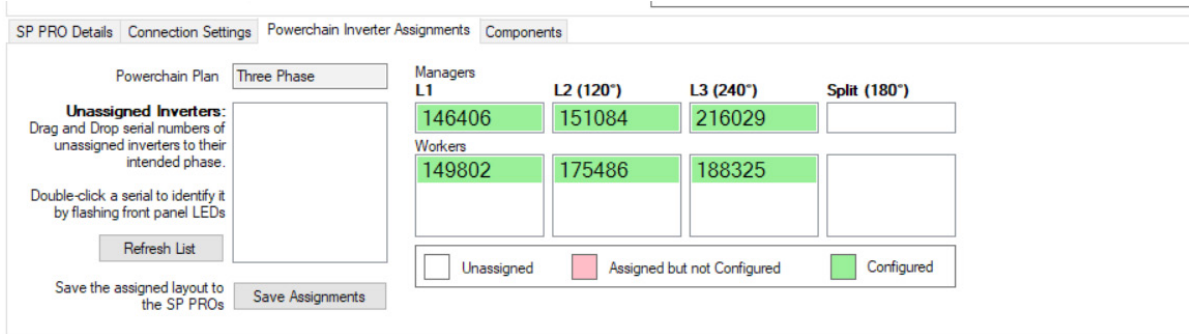
Simply run the Site Configuration Wizard, enter in the system details and SP LINK will validate the combination of system components and create a site file with a configuration for the SP PRO.

All that is left to do is add any custom functions to the Configuration Settings, save the newly created Site file to your computer then connect to the SP PRO.



Configuring Powerchain

If you have a Powerchain installation then go to the Powerchain Inverter Assignment tab and assign each SP PRO to its phase and position as physically installed and wired.



Once each SP PRO is in its position, click Save Assignments to lock them in.

Once assigned, select Configuration Settings tab and send the configuration to all the assigned SP PROs in the Powerchain (click "Configure SP PRO" button).

Viewing Firmware and Setting Region (Solar Hybrid (AS4777.2:2020))

To view the Firmware version in SP LINK go to Data View > Inverter Details menu. There are three firmware versions displayed:

1. Software version: The operational firmware in the SP PRO.
2. Grid Interface SW Version: The firmware module containing all the functions that effect and that are required for AS/NZS 4777.2-2020 compliance.
3. Comms Card SW Version: The firmware version in the communications card within the SP PRO.

To view and set the Region and grid interface settings:

1. Go to Configuration Settings and click the "Get SP PROs Configuration" button.
2. Select Configuration Settings > AC Source > AC Input menu to view the current Connect and disconnect Voltage and Frequency Limits.
3. Select Configuration Settings > AC Source > Power Quality/DRM menu to view the Region setting and the Grid Voltage Power Reduction Settings.

For compliance to AS/NZS 4777.2:2020 Stand Alone Inverters, please select from Australia Region A/B/C or New Zealand. Please note that the SP PRO cannot be configured and will not start until a Region has been selected.

For more information select "View SP LINK manual" in the Help menu in SP LINK or right click most tabs, buttons or headings within SP LINK.



Installation-Commissioning

Chapter Eight



Introduction

Now that the system has been installed and the SP PRO has been configured, it is vital that the following commissioning processes be followed to verify correct installation of the system. Spending this time now will save time later.

It is important that all the details are filled out in the relevant commissioning sheets on the following page as this will assist in diagnosing any system now and in the future.

To ensure that you receive the highest level of support please ensure that the following commissioning documents are completed and available before contacting Selectronic Support.

Please check off or record the value of all items in the following checklist. For Single phase systems just record the value for L1 (ignore L2 and L3).

Diagnostics during Commissioning

If the alarm buzzer sounds and one of the alarm LEDs is RED during the commissioning process, please do the following to diagnose the system fault:

- Connect to the SP PRO or the System Manager (in Powerchain) via a PC that is running SP LINK
- Go to the Data View - Now tab and read the messages in the Attention Require box.
- Right click the Attention Required heading to view the SP LINK manual that lists all the messages, their meanings and required action.



Common System Checks

Standard checks that are common to all SP PRO based power systems

Item to check	Result
Record Inverter model numbers and serial numbers	<div style="display: flex; justify-content: space-between;"> Model Serial </div>
Check the physical location of the SP PRO(s) in relation to all items listed in "Preparation" on page 14	
Check all main battery connections are correct and tight including: <ul style="list-style-type: none"> •Battery interconnects •Battery connections to battery •Connections to battery fuses or CBs •Connection to intermediate terminals •Connection to the SP PRO(s). Insulation is not clamped in terminal. 	
Check polarity of all main battery connections including: <ul style="list-style-type: none"> •At the battery bank •At the fuse or CB connections. Checked that they are not crossed. •At the SP PRO(s) Battery Terminals 	
Check precharge/battery sense wiring including <ul style="list-style-type: none"> •Connections to the battery bank •Connection to the SP PRO(s). Insulation is not clamped in terminal. 	
Check polarity of precharge/battery sense wiring including: <ul style="list-style-type: none"> •At the battery bank •At the fuse or CB connections. Checked that they are not crossed. •At the SP PRO(s) Battery Terminals. 	
With a multimeter check the voltage on the mid point terminal on the precharge/battery sense. This should be half the battery bank voltage.	
Check all other DC wiring in the system	
Check all AC wiring connected to the SP PRO(s) including the following: <ul style="list-style-type: none"> •The AC source terminals are wired to the grid or generator supply. •The AC load terminals are wired to the customer's loads •The AC outputs of the connected Selectronic Certified grid inverters are connected to the AC load terminals on the SP PRO(s). •All Neutral and Line connections are correct polarity. 	
Retighten all AC wiring terminals, N,L and E, and check there is no insulation in terminal, including connections to the SP PRO(s).	



Powerchain Systems

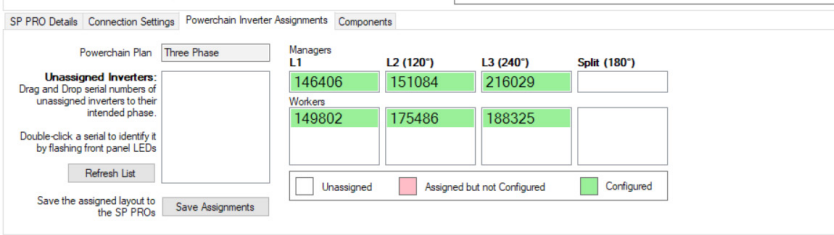
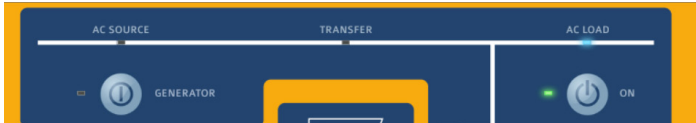
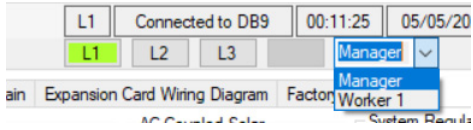
For systems with more than one SP PRO in a Three Phase, Split Phase or multi-inverter single phase the following items should be verified. Please complete “Common System Checks” on page 47 first.

For Systems with only one SP PRO and External Contactor, go to next page.

For Systems with only one SP PRO and no External Contactor go to Continue Common System Checks.

Refer to document “IN0057_xx Installation of an SP PRO Powerchain system” and ensure the system has been installed and commissioned according to the document before completing the following checklist.

- Turn on the DC supply to the SP PRO inverters (Precharge and main DC breakers).
- Turn on the AC load breakers connecting the Workers to their Managers.
- Turn off the AC source breaker.
- Connect SP LINK to System Manager (L1 manager) via a USB lead to PC running SP LINK.
- Leave the inverters in IDLE.

Item to check	Result
<ul style="list-style-type: none"> • Go to the Powerchain Inverter Assignment tab in SP LINK and check that all the inverters in the system appear on the list. • Double click on each inverter serial number to ensure each inverter is in its correct position. The associated inverter will flash its battery LEDs Red. 	
<ul style="list-style-type: none"> • Long press the ON button on System Manager (L1 manager). Check that all the blue AC Load LEDs and the green ON LEDs are lit and steady on all inverters. 	
<ul style="list-style-type: none"> • Select the Data View - Now tab in SP LINK. and Select L1 manager. • Place a load on the system and check the Inverter AC Power. • Select each Worker on L1. and check that each of their Inverter AC power is the same as their manager. • Repeat for L2 and L3 as appropriate. 	
<p>Turn off the DC Precharge and main DC battery supply to the SP PRO inverters..</p>	



External AC Source Contactor

For single phase and multi-phase systems incorporating an external AC source Contactor, the following should be verified. Please note that these items are in addition any other items that are relevant to the system configuration.

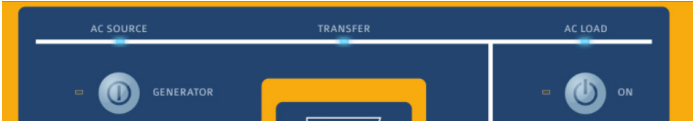

Please ensure the External AC contactor has been installed and commissioned according to the document “TN0057_xx SP PRO External AC Source Contactor Option” before completing the following checklist.

- Turn on the DC supply to the SP PRO(s), both precharge and main battery breakers.
- Do a long press on the ON button and make sure all the inverters come on.
- Do another long press on the ON button to put the inverter(s) in IDLE.
- Connect SP LINK to the System Manager (L1 Manager) SP PRO.
- Select the Data View - Now tab. All readings are in this tab.
- Turn off all charging sources such as any connected AC or DC coupled solar power.
- Turn off the AC source circuit breaker so that there is no AC source connected to the External Contactor.

Item to check	Result
Check that the NC Relay driving the External AC Source contactor is NOT energised.	
Check the AC Source - Voltage in the Data View - Now tab is zero.	
Start the Generator (if Off grid system) and turn ON the AC Source circuit breaker. Check the following: <ul style="list-style-type: none"> • AC Source Voltage reading in the Data View - Now tab reads correctly • The External AC Source contactor has turned ON. • The AC Load Voltage reading reads the same as the AC Source voltage in the Data View - Now tab • Repeat for L2 and L3 in a multiphase system. 	
Connect a load to L1 phase only on the SP PRO. Turn the loads off to the other phases: Check the load power with an AC clamp meter. <ul style="list-style-type: none"> • Check the AC Source Power in Data View - Now tab (L1). This should be a positive value and be equal to the load placed on L1. • Repeat for L2 and L3 in a multi-phase system. 	
On the front Panel of the Manager SP PRO check: <ul style="list-style-type: none"> • Both the blue AC Source and AC Load LEDs are lit. • The blue Transfer LED is NOT lit. 	
Turn OFF the AC source circuit breaker. Turn ON the SP PRO(s) with a long press of the ON button. Check the following: <ul style="list-style-type: none"> • AC Source Voltage is still zero in the Data View - Now tab • The External contactor is still off. • The NC relay driving the external contactor is on. • The AC Load Voltage reads 240V in the Data View - Now tab 	
Turn on the AC Source circuit breaker and check the following BEFORE the SP PRO(s) synchronises to the AC Source. <ul style="list-style-type: none"> • AC Source Voltage in the Data View - Now tab reads the AC source voltage • The External contactor is still off • The AC Load Voltage reads 240V in the Data View - Now tab 	
Check the following AFTER the SP PRO(s) synchronises to the AC Source. <ul style="list-style-type: none"> • AC Source Voltage reads the source voltage in the Data View - Now tab • The External contactor has turned ON • The AC Load Voltage reads the same as the AC source voltage in the Data View - Now tab 	



Continue Common System Checks

Item to check	Result
<p>Turn on the AC Source input to the SP PRO(s). DO NOT turn on the DC battery supply or the precharge/battery sense supply. Three blue LEDs will light up on each Phase manager. AC SOURCE, TRANSFER and AC LOAD. (Transfer will not light up with an external AC Source contactor)</p> 	
<ul style="list-style-type: none"> •Turn off AC Source and check that AC load is turned off. •Turn on precharge/battery sense breaker or fuses. After 10 seconds all the LEDs light up Red then Green before settling to normal display. 	
<ul style="list-style-type: none"> •Turn on Main DC Breaker or Fuses. •Run SP LINK on a PC and connect to the System Manager (L1 Manager) via the USB port. 	
<p>Do a long press on the ON button on System Manager (L1 Manager). The blue AC LOAD led will light on each SP PRO.</p> 	
<p>Go to the Data View - Technical Data tab and read the following for the System Manager (L1 Manager):</p> <ul style="list-style-type: none"> •Sense Voltage - should be equal to the DC Inverter Voltage reading. Both should be equal to the voltage at the battery terminals •DC Inverter Voltage •Midpoint Voltage (Where mid point is connected, otherwise ignore) - should be half the Sense Voltage. •Midpoint Error - should be < 5% unless battery bank needs to be equalised 	
<ul style="list-style-type: none"> •Put a load on the system. <p>In the Data View - Now tab in the System Manager (L1 Manager) read and record the Battery Current.</p> <ul style="list-style-type: none"> •Also read and record Battery Voltage 	
<p>Back in the Data View - Technical Data tab read and record the Cable Loss (L1). Cable Loss should be less than 1% of load power for 24V system, 0.5% of load power for 48V and 120V systems</p>	
<p>Check the battery temperature sensor is installed according to “Battery Wiring (DC) Preparation” on page 24. Temperature sensor is only connected to System Manager (L1 Manager). (Temperature sensor is not required when managed batteries are installed)</p>	
<p>Back in the Data View - Technical Data tab read and record the Battery Temperature Check that this is correct. With managed batteries this is read directly from the BMS via the CAN bus.</p>	
<ul style="list-style-type: none"> •Activate all used digital inputs and check for > 10VDC but < 60VDC •Deactivate all used digital inputs and check they are < 3VDC 	
<p>Activate all used Relay Ouputs and check the relay current is < 0.5A DC</p>	
<p>Activate all used Digital Ouputs and check the current is < 5mA DC.</p>	

Checking Managed AC Coupled Systems

For systems incorporating Managed AC Coupling, the following items should be verified. Please note that “Common System Checks” on page 47 and other relevant sections should be completed first.

Refer to relevant installation document for the particular brand of Selectronic Certified grid inverter (SCERT) and ensure the system has been installed and commissioned according to that document before completing the following checklist.

- Turn on the DC supply to the SP PRO(s).
- Long press SP PRO ON button so that the blue AC Load LED is lit.
- If the grid inverter comes on with AC volts (Fronius SCERT), turn on its AC. Leave off the PV volts.
- If the grid inverter comes on with PV volts (ABB SCERT), turn on the PV volts to the grid inverter. Leave off the AC volts off.
- Connect SP LINK to the SP PRO System Manager (L1 Manager).

AC Coupled Solar

Total Power

#1 (Symo 8.2-3-M)

Target Power

Total Capacity

AC Solar Link Test

Errors or non-responses from grid-tie inverters can indicate quality of link. Counting while grid tie inverter is off, such as at night, is normal.

Link #1

Link #2

Link #3

Link #4

Link #5

Item to check	Result
For Selectronic Certified Grid inverter #1: • In Data View > Now check that all configured inverters show up under the AC Coupled Solar section. Each model number will be displayed. • In the Service Settings tab click the “Reset Counters” button. • Wait 2 minutes then read and record Link #1 (see relevant Managed AC coupled Installation note for acceptable error rate). Repeat for L2 and L3 in a three phase of split phase system.	L1 L2 L3
For Selectronic Certified Grid inverter #2: • Repeat above for #2 then read and record Link #2 (see relevant Managed AC coupled Installation note for acceptable error rate).	L1 L2 L3
For Selectronic Certified Grid inverter #3: • Repeat above for #3 then read and record Link #3 (see relevant Managed AC coupled Installation note for acceptable error rate).	L1 L2 L3
For Selectronic Certified Grid inverter #4: • Repeat above for #4 then read and record Link #4 (see relevant Managed AC coupled Installation note for acceptable error rate).	L1 L2 L3
For Selectronic Certified Grid inverter #5: • Repeat above for #5 then read and record Link #5 (see relevant Managed AC coupled Installation note for acceptable error rate).	L1 L2 L3
To check the fallback function, turn on the PV supplies and the AC supplies to the grid onverters.Unplug the RS485 lead (RJ45) in the SP PRO. Check that each of the connected grid inverter’s output drops to zero after 60 seconds. Repeat for L2 and L3 in a three phase or split phase system.	L1 L2 L3



Checking Generic AC Coupled

For systems incorporating Generic AC Coupling the following items should be verified. Please note that “Common System Checks” on page 47 should be completed first.

Refer to document “IN0034_xx SP PRO Generic AC Coupling installation notes” and ensure the system has been installed and commissioned according to this document before completing the following checklist.

- Turn on the DC supply to the SP PRO(s). Long press the ON button so that only the blue AC Load LED is lit.
- Connect SP LINK to the SP PRO inverter(s).
- Connect the AC supply to the grid feed inverter(s).
- Turn on the PV supply to the grid feed inverter(s) and let the battery charge from the grid feed inverter(s) until it reaches the charge target voltage. The charge voltage target is shown in SP LINK, Data View > Technical Data > Target Charge Voltage.

AC Load Power	0.31 kW
AC Load Voltage	248 V
AC Load Frequency	50.0 Hz

Item to check	Result
When voltage goes above battery charge target check that the AC Load Frequency ramps to 55.2 Hz (No system load, generic inverter is charging)	
When the AC load frequency ramps to 55.2Hz, check that the output from the grid inverters drop to zero and the battery voltage falls.	
Check that the AC load frequency drops back to 50Hz when the battery voltage falls below the charge Voltage target.	

Checking DC coupled

For systems incorporating DC Coupled renewable energy the following items should be verified. Please note that “Common System Checks” on page 47 should be completed first.

Refer to relevant document(s) referred to in “DC couple Charge Controller Preparation” on page 33 and ensure the system has first been installed and commissioned according to these document(s).

- Turn on the DC supply to the SP PRO. Long press the ON button so that only the blue AC Load LED is lit.
- Connect SP LINK to the SP PRO inverter.
- Disconnect the battery supply to the DC charge controller(s).

Item to check	Result
Record the “Name” for shunt 1 and 2 (Solar, Wind, Hydro)	1 2
Read the Solar (Wind or Hydro) Shunt 1 current in DataView - Now tab. Current should be zero or very close (<0.2 A). Repeat for shunt 2(if connected) - Record the results.	1 2
NOTE: If a shunt reading is not zero then select Service Settings tab in SP LINK and click Zero Shunt 1 or Zero Shunt 2 button.	
Connect the renewables and battery to the DC charge controller(s) Measure the DC charge current(s) with a DC clamp meter and compare this with the Shunt 1 current. Repeat for shunt 2 (if connected) Record results.	1 2
Let the battery charge from the renewables until FLOAT charge stage is reached on the DC charge controller. Check the Front Panel of the SP PRO to see that its Charging Mode has dropped to FLOAT..	
Put a load on the system until both the SP PRO and the charge controller drop out of FLOAT.	
Turn off the load and let the battery charge back to FLOAT. Again check that the SP PRO has dropped to FLOAT	

External Generator

For single phase and multi-phase systems incorporating a generator, the following should be verified. Please note that these items are in addition to any other items that are relevant to the system configuration.

Please ensure the generator has been installed according to “Adding a Generator (Off Grid)” on page 39 and the document “TN0025_xx SP PRO Generator Controller Wiring Guide”, before completing the following checklist.

- Turn on the DC supply to the SP PRO(s). Leave the inverter(s) in IDLE
- Connect SP LINK to the SP PRO inverter(s).
- Turn off all charging sources such as any connected AC or DC coupled solar power..
- Turn on the AC source circuit breaker
- Turn on a customer load that is less than 50% but more than 25% of the generator capacity.

Item to check	Result
<p>For auto start generator, start the generator with a SHORT press on the SP PRO front panel Generator button.</p> <p>If generator does not start then check control wiring and SP PRO configuration settings.</p>	
<p>For manual start generator, Start the generator manually.</p>	
<p>In SP LINK, Data View - Now tab, check the “AC Source Voltage” and AC Source Frequency” before the SP PRO syncs to the generator.</p> <p>.Record results</p>	<div style="border: 1px solid gray; padding: 5px; width: fit-content;"> <p>AC Source</p> <p>Power 1.56 kW</p> <p>Power (5 min Average) 1.56 kW</p> <p>Voltage 249 V</p> <p>Current 6.5 A</p> <p>Frequency 50.0 Hz</p> </div> <p>Volts</p> <p>Frequ.</p>
<p>Check that the SP PRO syncs to the generator, wait for the “warm up” time (default is 1 min) and check that the generator runs the load and charges the battery bank.</p>	
<p>Increase the load on the system to more than the generator capacity. Check system is still working OK</p> <p>In SP LINK, Data View - Now tab</p> <ul style="list-style-type: none"> • Check the “AC Source Power” to ensure this is less than or equal to the generator capacity. If wrong then adjust the “AC Source Power” setting in Configuration settings • Check the “AC Source Frequency” to ensure it has not dropped too low (>49 Hz). If too low then drop the “AC Source Power” setting in Configuration settings 	<p>Power</p> <p>Frequ.</p>



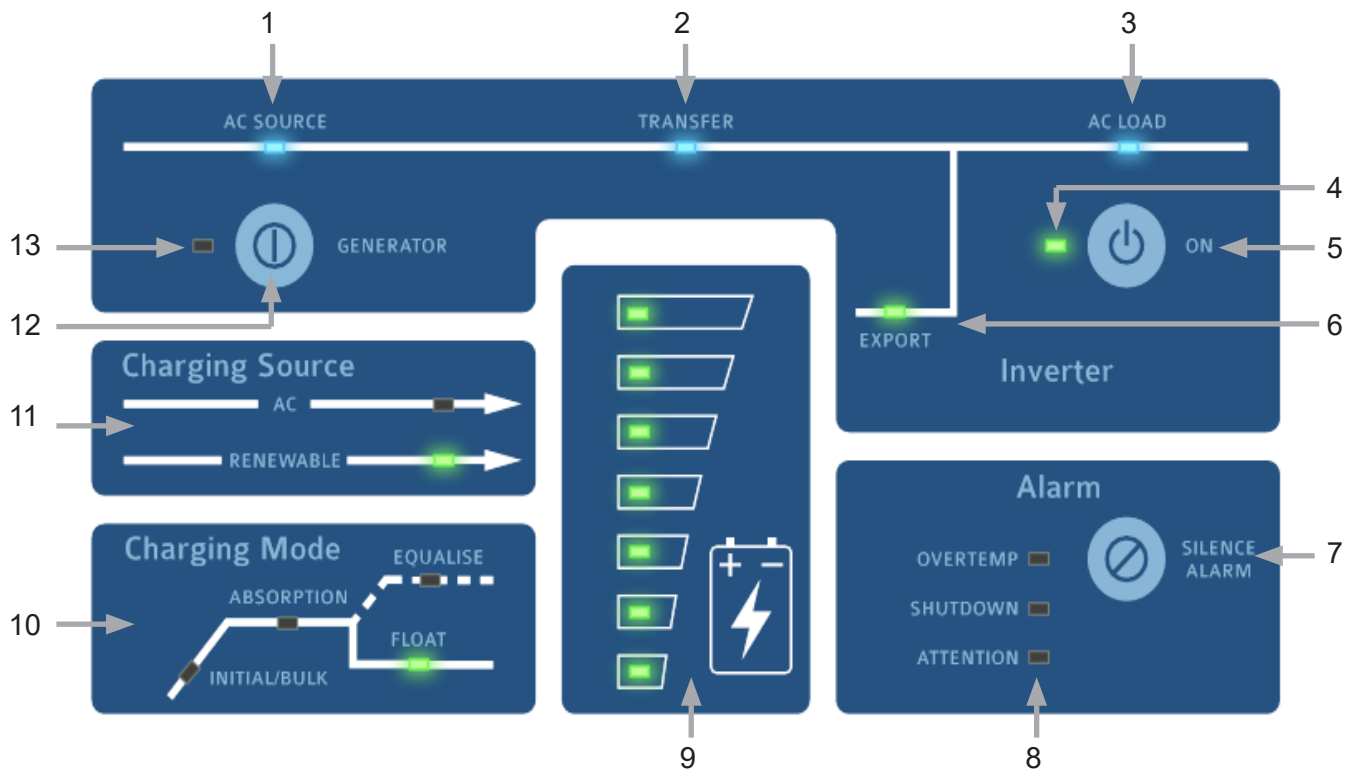
Controls and Indicators

Chapter Nine



User Interface

This section lists the controls and indicators found on the front panel of the SP PRO. The indicator brightness is adjusted according to the ambient light conditions (Blue LEDs exempted).



1 AC SOURCE *

When illuminated, this shows the presence of AC supply voltage from either the mains grid or backup generator (when installed), whichever is applicable. This is powered directly from the incoming AC supply.

2 TRANSFER *

Illuminated when an external AC supply is connected through to the AC LOAD output. If AC SOURCE is illuminated but not TRANSFER, it would generally indicate that the AC supply is out of sync tolerance – either the voltage or the frequency is beyond the set limits. It is normal operation for this to flicker slightly. This LED is ALWAYS off with an external AC source contactor.

3 AC LOAD *

When illuminated, this shows the presence of AC voltage ready to supply loads. This is powered directly from the inverter AC output or AC supply.



*Indicators **1,2,3** will operate without any DC connection to the SP PRO. An external AC supply will activate the AC bypass and illuminate these indicators.



4 OUTPUT MODE STATUS

Off	SP PRO Battery supply disconnected. AC bypass only.
Slow flashing Yellow	SP PRO is Idle (off) - Monitoring and logging but no inverter AC output.
Steady Green	The SP PRO is On.
Slow Flashing Green	SP PRO Econo mode is active and is sensing load conditions.
Fast Flashing Green	SP PRO is preparing to start.
Steady Red	Indicates that a Fault has been detected and no inverter output is possible.
Flashing Red	Indicates an open circuit or poor battery connection and no inverter output is possible.
Slow Flashing Red	Inverter has not been configured using SP LINK . No inverter output is possible.

5 ON BUTTON

A LONG PRESS (>1 second) - turns the SP PRO On. Another long press SP PRO reverts to Idle.
 TWO LONG PRESSES when in low DC shutdown. AC coupled low DC shutdown recovery. (see SP LINK manual)
 A SHORT PRESS (<1 second) - activates Econo mode (Not available in firmware above 11.20 or 120 VDC models)

6 EXPORT

This indicator flashes to show that the SP PRO is supplying the AC Load only with no export to grid. The SP PRO will not export active power to the grid.

7 SILENCE ALARM BUTTON

Turns off the audible alarm for this instance only. Alarm will resound with a new alarm condition.

8 ALARM INDICATORS

OVERTEMP

Yellow	SP PRO is approaching an over temperature condition
Red	SP PRO has shutdown due to an over temperature condition

SHUTDOWN

Yellow	SP PRO is approaching a shutdown condition
Red	SP PRO has shutdown

ATTENTION

Off	Normal
Yellow	Attention Required, Fan Service Request
Flashing Yellow	Either Clean Fan, Fan Fault or Capacitor Bank Service Request
Red	Immediate Attention required
Flashing RED	Unit Fault

See Attention Required in SP LINK Data View - Now section to determine specific reason for the attention indicator.

9 BATTERY “FUEL” GAUGE

These indicate the battery State of Charge (SoC). When the battery SoC is equal to the Shutdown SoC (in Configuration Settings - Inverter tab) then only the bottom LED is green. At 100% SoC all LEDs are green.

Top Indicator Flashing RED	Instant Hi DC Voltage Shutdown. Battery or battery wiring fault
Bottom Indicator Yellow	Low Battery. Battery needs charging
Bottom Indicator Red	Low Battery Shutdown. Inverter has shut down due to flat battery
Bottom Indicator Flashing RED	Instant Low DC Voltage Shutdown. Battery or battery wiring fault.
All Indicators flashing RED	Inverter in emergency Low DC Shutdown Override or AC Coupled Low Battery recovery mode (See SP LINK Manual)

10 CHARGING MODE

The Charging Mode panel indicates the present charging state. See “Battery Charging Operation” on page 58.

11 CHARGING SOURCE

AC - On.	Power from the AC Source input supply is charging battery bank (Grid or generator)
Renewable - On	Power from any monitored renewable energy supply is charging battery bank

12 BACKUP GENERATOR BUTTON

A short press Start or stop the backup generator (where installed)..

13 BACKUP GENERATOR STATUS

Off	No backup generator activity
Flashing Green	Generator is in the process of starting
Steady Green	Generator has started and is running
Flashing Yellow	Generator is not available for auto start
Flashing Red	There is a generator fault

NOTE: Button **12** and LED **13** are not active when a backup generator is not installed.



SP PRO Operation

Chapter Ten



The following section describes in detail the operation of the SP PRO. A good understanding of the operation of the SP PRO and its parameters will enable configuration of the SP PRO to meet the system design requirements.

The SP PRO Battery Management continuously monitors the system operation. This monitoring allows the SP PRO to ensure the batteries are correctly charged to maximise system reliability. The monitoring includes any input from renewable sources (AC or DC Coupled) and any loads directly connected to the battery bank.

An SP PRO Powerchain system operates the same as a single SP PRO. The System Manager controls the function of the Powerchain and provides the interface to external system components.

The SP PRO uses a five stage temperature compensated battery charging system. This system gives a high degree of flexibility so it can charge the multitude of battery types available.

Also incorporated are a number of “time of day” and “day of week” schedules. These schedules can be set to meet the cheapest electricity rates or reduce high load demands from the grid.



WARNING: This equipment must be used in accordance with the instructions in this manual and any other related documents. If this equipment is used in a manner not specified by the manufacturer as contained in this manual and other operational documents and Instructions, then the protection provided by the equipment may be impaired.

DO NOT remove any covers. There are no operator accessible parts within the SP PRO.



Battery Management



Please refer to the battery manufacturer's documentation for recommendations regarding settings for the particular battery. Inappropriate settings may have a detrimental affect on the battery life and performance.

The SP PRO provides comprehensive battery management settings and controls to allow a charge regime to achieve optimal battery life.

SP PRO Battery Management features include:

- State of Charge monitoring and control.
- Battery terminal voltage monitoring (Battery Sense / pre-charge) and control.
- Charging initiated by battery state of charge and/or battery voltage.
- Five stage charge cycle: Initial, Bulk, Absorption, Float (short term and long term) and Equalise.
- Shutdown on low battery voltage, battery state of charge, or both.
- Two stage Battery Temperature compensation of charging voltage based on battery temperature.
- CAN bus to interface with managed battery systems for precise and coordinated control of battery charge and discharge currents.

The SP PRO may be configured to use the Grid power or to automatically start a backup generator (with Grid Fail - Generator Backup Option) when a battery charge cycle is required during a prolonged grid outage.

Battery State of Charge (SoC) monitoring and control

For SoC control to function correctly all DC battery currents, other than the inverter current, must be monitored on either or both of the two current shunt inputs to the SP PRO. No current shunt is required to read the SP PROs current or any AC Coupled supply as this is read internally. The resultant battery current is monitored to track the battery SoC which is expressed as a percentage of the battery size set in the SP PRO (Battery Capacity).

The accuracy of the battery SoC is limited by a number of factors including the charge and discharge efficiency of the battery bank. To improve the accuracy of the battery SoC calculation, the SP PRO employs an adaptive algorithm to constantly update a "charge efficiency index" which is used during recharge.

In an Off Grid system where a Generator is installed, the state of charge is used to automatically start the generator as required. The generator will then supply the load while any excess available generator capacity will charge the batteries.

In a Solar Hybrid system, the state of charge along with time of day and load demand is used to vary the priority and direct the renewable energy to either power the AC load or recharge the battery bank. Any excess power from the AC coupled grid inverters will then export to the grid. This allows for the maximum use of the renewable energy (such as PV solar) whilst taking advantage of variable electricity tariffs. Please note that the SP PRO does not export active power to the grid.

Battery Voltage monitoring and control

The SP PRO measures the battery voltage both at the inverter and also directly at the battery bank using the Battery Sense / pre-charge wiring (if installed). Sensing the actual battery terminal voltage (using Battery Sense / pre-charge wiring) compensates for the effect of cable losses which, irrespective of charge or discharge currents, keeps the battery terminal voltage within set limits.

In a managed battery, the battery sense voltage is read directly from the battery BMS via the SP PRO CAN bus interface.

Battery voltage is used to protect the system by shutting charging sources should the battery voltage go above set limits or shutting down the inverter should the voltage drop too low. For the low voltage shutdown limits the SP PRO employs different levels depending on system load. The system will always attempt to reconnect to the grid or start the backup generator (when installed) before shutting the inverter down due to low battery voltage or SoC.



Battery Charging Operation

The SP PRO charging system manages all charging sources in the power system giving priority as appropriate to the renewable energy sources. This ensures that the renewable sources are used in the most cost effective manner.

The SP PRO continuously monitors all charging sources to recharge the battery in a five-stage cycle. Each stage or Charging Mode is controlled by voltage, current and time settings. These settings are fully configurable using SP LINK and should not require changing after initial installation, unless some aspect of the battery installation changes.

Each voltage setting is battery temperature compensated. The set values displayed do not change. See Battery Temperature for details.

BATTERY CHARGING MODE.

Read the following with reference to the Battery Charging Cycle graph on the following page.

INITIAL

The SP PRO charges at the initial charging current until the battery voltage rises to the initial charge voltage, then holds this voltage for a set time before starting the Bulk stage. When in the Initial charge phase, the Initial/Bulk indicator will flash.

BULK

The SP PRO charges at the bulk charging current until the battery voltage rises to the bulk charge voltage, then holds this voltage for a set length of time, before starting the Absorption stage. In Bulk charge mode, the Initial/Bulk indicator will be steady ON.

ABSORB

In the Absorption charge phase the SP PRO will charge at the absorb charge current until the absorb charge voltage is reached. Once this voltage is reached, the SP PRO will carefully monitor the rate of change of the charge current as set in the Absorb-Float transition setting.

When the Absorb-Float transition setting is met, the charge cycle will switch to Float and terminate an auto start backup generator if connected. If an Equalise charge is pending, the Equalise charge cycle will now be performed. The Absorption indicator will be steady on when in the Absorption phase.

FLOAT

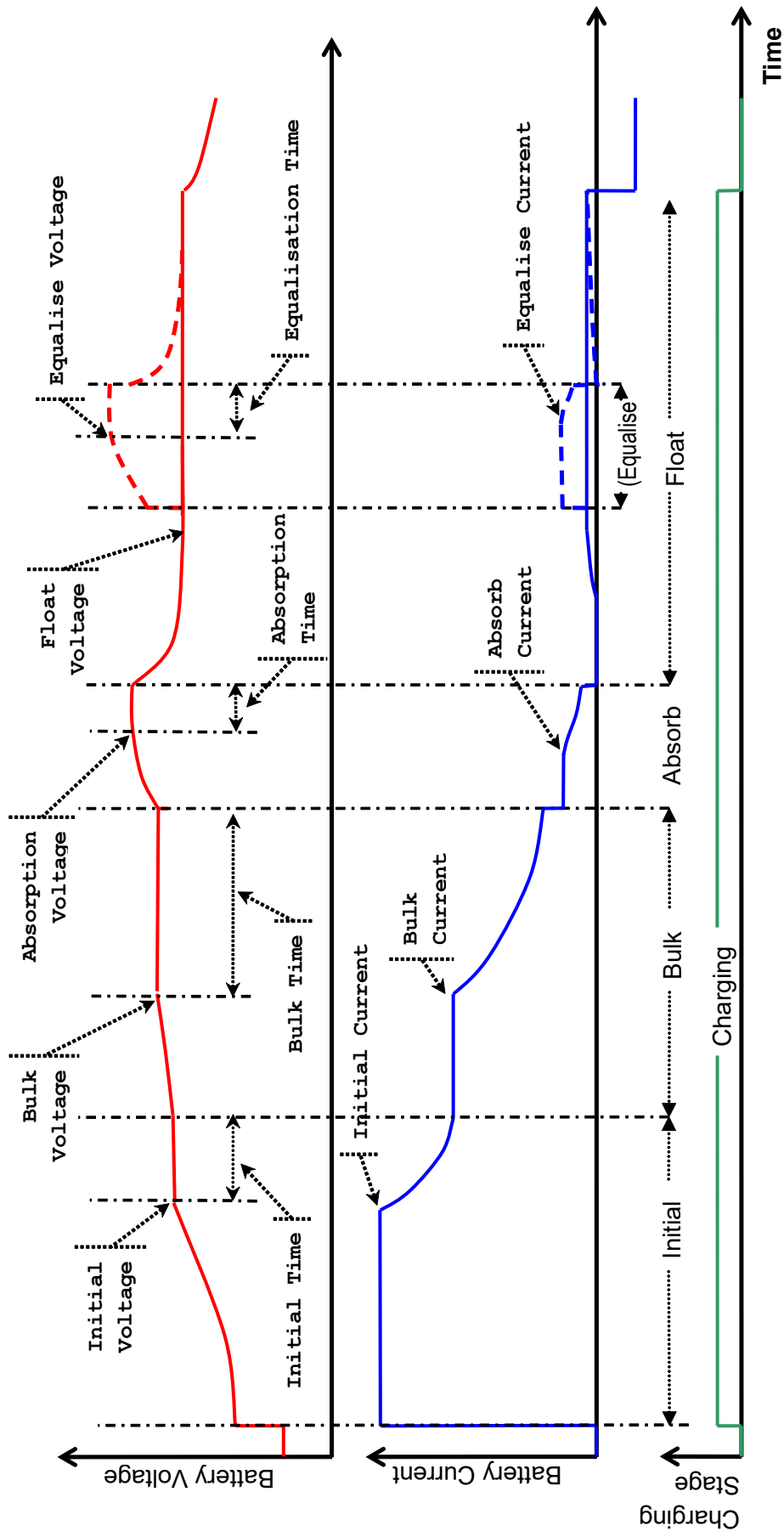
The SP PRO holds the battery voltage at the Float level and will provide up to the float current to maintain the float voltage. The SP PRO will remain in this charge state until battery falls below the Initial Return voltage or Initial Return SoC settings. If the SP PRO is still connected to an AC Source after 24 hours of Float, the charger will transition to the Long Term Float voltage. Long Term float voltage will allow batteries to sit at a lower voltage level indefinitely, reducing battery losses.

EQUALISE

Where a periodic equalise is required by the installed battery type, the SP PRO will periodically hold the battery at a higher voltage for a set period. This will help all cells within the battery bank have an equal amount of charge. The equalise indicator will be steady on when in equalise mode and will flash when an equalise is pending, that is the charger will perform an equalise after float stage is next reached.



Note on Battery Charging: Lead acid batteries (such as GEL, Flooded, AGM, VRLA) normally start to take less charge when they reach 80% State Of Charge (SoC) and above. It is normal to see the Charge Current reducing and PV controllers (including managed AC coupled solar) power limiting when the batteries reach 80% SoC.



Battery Charging Cycle



Battery Temperature Compensation

The SP PRO monitors the temperature of unmanaged batteries via the sensor provided. The supplied battery temperature sensor must be mounted in thermal contact with the centre of the side of the battery. If the sensor is not in thermal contact with the battery bank, the batteries will not be correctly charged. Check the battery temperature is reading correctly in the Temperature Control section of Technical Data in SP LINK.

With managed batteries (where there is communications between the battery BMS and the SP PRO) the SP PRO reads the battery temperature directly from the battery BMS. The supplied battery temperature sensor is not installed. When a managed battery type is configured in the SP PRO, the Battery Temperature Compensation is not required and the configuration setting is unavailable.

The charge voltage set points are compensated by battery temperature. The default compensation applied is $-5.5 \text{ mV}/^\circ\text{C}/\text{cell}$ with zero compensation at 25°C .

$$\begin{aligned} \text{e.g. Initial Voltage} &= 55.2, \text{ Battery Temperature} = 26^\circ\text{C}, \text{ No. Battery Cells} = 24. \\ \text{Compensated Charge voltage} &= 55.2 + ((26 - 25) \times -0.0055 \times 24) \\ &= 55.07 \end{aligned}$$

$$\begin{aligned} \text{Absorption Voltage} &= 57.6, \text{ Battery Temperature} = 6^\circ\text{C}, \text{ No. Battery Cells} = 24. \\ \text{Compensated Charge voltage} &= 57.6 + ((6 - 25) \times -0.0055 \times 24) \\ &= 60.11 \end{aligned}$$

During all charge stages, the compensated charge voltage will not exceed Max Voltage Limit. Compensation improves battery performance by preventing over or undercharging the battery and protects against battery overheating.

The charge current is also limited by battery temperature. Battery temperatures above 45°C cause the battery charger to reduce the charge current limit point. This will help also help protect the battery from overheating.



If temperature compensation is set to $0.0 \text{ mV}/^\circ\text{C}/\text{cell}$, no temperature compensation will be applied.

No temperature compensation will be applied and the temperature compensation configuration settings will be disabled when a Lithium battery or managed battery type is configured.

The temperature compensated charge voltage target and charge current target at any point in time can be viewed in SP LINK under the Data View -Technical Data tab, "Target Charge Voltage" and "Target Charge Current".

Renewable Management

SOLAR HYBRID -GRID AVAILABLE

In Solar Hybrid, the renewable energy can be directed to power the AC load and recharge the battery bank. AC couple solar from a grid connected inverter can be directed to export solar power to the grid. The direction and priority of the energy flow can be varied depending on the time of day, battery SoC or load demands allowing the maximum use of the renewable energy (such as PV solar) whilst taking advantage of variable electricity tariffs. Please note that the SP PRO will not export active power to the grid.

SOLAR HYBRID -GRID OUTAGE

When the grid fails the SP PRO feeds renewable power to the AC load, and any excess is stored in the battery for later use. If the battery is fully charged and all loads are being supplied, the renewable power is backed off (DC coupling or managed AC coupling) or disconnected (Generic AC coupling) to prevent overcharging of the batteries

OFF GRID SYSTEMS

In an Off Grid System the SP PRO feeds renewable power to the AC load, and any excess is stored in the battery for later use. If the battery is fully charged and all loads are being supplied, the renewable power is backed off (DC coupling or managed AC coupling) to prevent overcharging of the batteries



Generator Controls for Off Grid

The SP PRO may be configured to automatically control a generator in an Off Grid power system. The generator control is standard with all SP PRO models

The SP PRO may be configured to automatically run the generator during periods of insufficient renewable energy production to:

- Limit the depth of battery discharge, for maximum battery life.
- Deliver energy efficiently by supplying sustained large loads direct from the generator.
- Load the generator to the highest possible level while running, to efficiently convert fuel to electricity.
- Limit generator starting frequency, which would reduce its life and increase maintenance.
- Avoid noise by only starting the generator late at night for heavy loads or a deeply discharged battery.

For full details on backup generator controls please see “TN0025_xx SP PRO Generator Controller Wiring Guide” available on support page at the Selectronic web site.

Backup Generator Controls (with option)

The SP PRO may be configured to automatically control a backup generator in a Solar Hybrid power system using the optional “Grid fail - Gen backup” module. During a grid outage the generator will be automatically started by the SP PRO as required to supply the load and charge the battery bank.

As part of the installation, the SP PRO settings are configured to automatically run the generator during a grid outage to:

- Limit the depth of battery discharge, for maximum battery life.
- Deliver energy efficiently by supplying sustained large loads direct from the generator.
- Load the generator to the highest possible level while running, to efficiently convert fuel to electricity.
- Limit generator starting frequency and run time for increased life and reduced maintenance.
- Avoid noise late at night by only starting the generator with heavy loads or a deeply discharged battery.

For full details on backup generator controls please see the documentation supplied with the optional Grid Fail - Generator Backup option.

Inverter External Alarm

The SP PRO provides an alarm output which can be wired to an external alarm buzzer or light. A shutdown alarm is indicated by a continuous ON condition. The SP PRO is in alarm state when shutdown or idle. The alarm relay is active in the normal or no alarm state condition (i.e. use the NC relay contacts to run an alarm buzzer or indicator). Alert conditions can be prevented from raising the alarm, via SP LINK.



Service and Maintenance

Chapter Eleven



Multiple Sources of Supply



Hazardous voltages and energy is generated by and are fed into the SP PRO by external wiring from multiple sources and may be stored in capacitors after switched off. Ensure the isolation of all energy sources. including AC source isolator, battery main isolator, battery precharge isolator and all renewable energy sources including solar, wind and hydro before carrying out maintenance on the SP PRO. A time of at least 5 minutes must elapse AFTER the disconnection of the battery main isolator and the battery precharge isolator before any trained technical staff gain internal access to the SP PRO

Cleaning the Fan and Fan Filter

1. Ensure the fan is stationary, i.e. not running.
2. Remove the four retaining screws that hold the fan filter in place.
3. Clean the filter mesh with a soft brush or similar implement.
4. Check to see if there are any foreign matter that could impede the fan operation.
5. Replace the filter and tighten the four retaining screws.

All other maintenance on the SP PRO should be performed by a suitably qualified Integrator.



Above the fan filter is a safety grill. Do not remove this grill – fast moving fan blades can cause injury

Monitoring the operation of the SP PRO

Monitoring of the power system will give early warning of any system issues and avoid unexpected system shutdowns. A system may be monitored locally and remotely by adding an optional Select.live device.

It is good to keep an eye on the following:

- BATTERY SoC% - This is the “fuel gauge” for your battery. It lets you know how much energy you have available now. Also a high average figure means good battery life.
- THE AVERAGE LOAD KWH - Checks that this is within the system design parameters. An increase in the loads may mean a longer generator run time or extra energy taken from the grid.
- SOLAR - How much energy is being provided by your installed PV. If this is lower than expected then there maybe an issues with your PV panels or Solar controller.
- GRID IMPORT - How much energy taken from the grid. In an off Grid system this shows the energy provided by the generator.
- EVENTS - Checks to see how the system is operating. Each event is self explanatory. If in doubt connect SP LINK and look at the events in the Data View > Now tab.



System Shutdown and Startup

The Installer / integrator will provide detailed Shutdown and Restart instructions specific to the installation.

Installer Maintenance of SP PRO

Other than ensuring all AC and DC connections are always tight, there are only three areas that may require maintenance.

- FAN ALERT – This can be checked in the “Now” tab of the “Data View” section. A fan alert generally indicates that the fan is stationary when it should be running. This will mean that either the fan needs replacement or that a foreign body is stuck in the fan. Also see “” on page 62
- FAN LIFE is recorded in the “Technical Data” section of the “Data View” tab. Fan life is expressed in the percentage of fan life used i.e. The figure starts at 0% and rises the longer the fan runs. As fan life is projected to be in excess of 40,000 hours quite a high percentage of fan life can be used before replacement is necessary.
- CAPACITOR LIFE is measured on both halves of the power module and is expressed, as before, in percentage of life used. The power module should be replaced when capacitor life, in either half, reaches 95%.



There are no user serviceable or replaceable parts within the SP PRO. Any maintenance, other than fan filter cleaning, should be performed by a suitably qualified installer.

System Maintenance

Your system installer will provide the maintenance that is required for the balance of the system components.

Battery Maintenance and replacement



Batteries are a hazardous part of the power system. Servicing and replacement of batteries must be performed by suitably qualified personnel knowledgeable about batteries and the required precautions.

When replacing batteries in the system ensure that they are replaced with the same type and number of batteries as the original system. When removing or installing any batteries please ensure that the battery manufacturer’s recommendations and instructions are followed.



CAUTION: Do not dispose of batteries in a fire. The batteries may explode.

CAUTION: Do not open or damage batteries. Released electrolyte is harmful to the skin and eyes. It may be toxic.

CAUTION: A battery can present a risk of electrical shock and high short-circuit current. The following precautions should be observed when working on batteries:

- Remove watches, rings, or other metal objects.
- Use tools with insulated handles.
- Wear rubber gloves and boots.
- Do not lay tools or metal parts on top of batteries.
- Disconnect charging source prior to connecting or disconnecting battery terminals.
- Determine if battery is inadvertently grounded. If inadvertently grounded, remove source from ground. Contact with any part of a grounded battery can result in electrical shock. The likelihood of such shock can be reduced if such grounds are removed during installation and maintenance



Troubleshooting

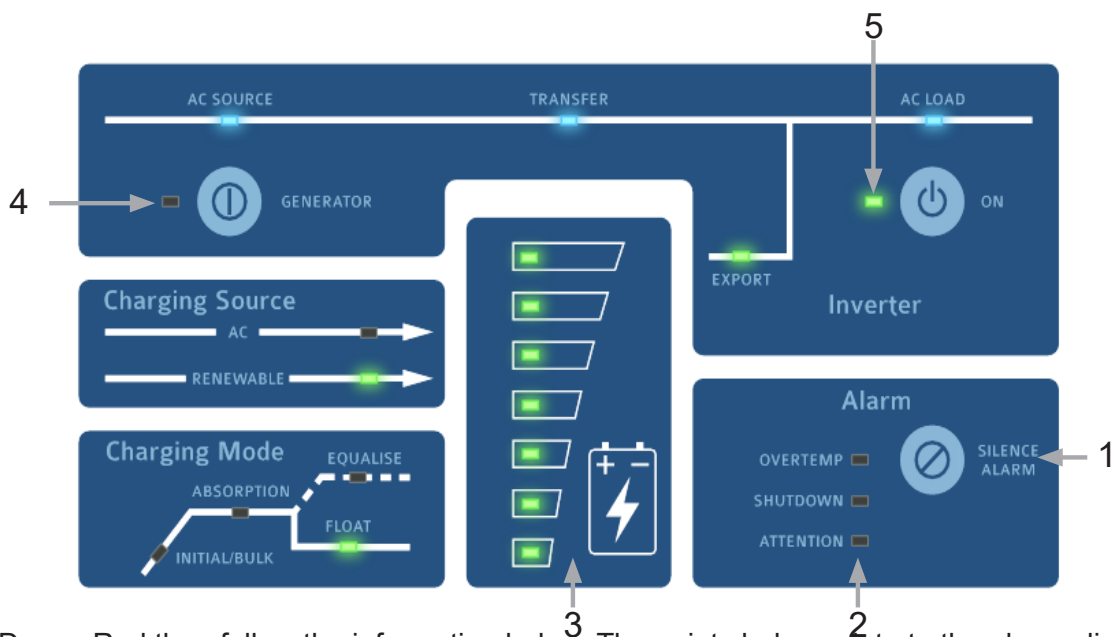
Chapter Twelve



The SP PRO provides advanced monitoring of the power system and will advise the user when a problem develops with the power system. In most cases the problem and its cause can be determined by using the indicators provided with the SP PRO and information available via SP LINK.

Front Panel Indicators

The first and easy step is to look at the front panel of the SP PRO. If all the LEDs are green then all is well and the system components that are measured or controlled by the SP PRO are functioning correctly.



If any LEDs are Red then follow the information below. The points below relate to the above diagram.



1. Alarm Silence button - Press this button to silence the SP PRO internal alarm after an alert. Pressing this button will silence the alarm for this instance only. The alarm will sound again with a new alert condition.

2. Alarms

OVERTEMP

- Yellow SP PRO is approaching an over temperature condition due to high loads, high ambient temperatures or obstructed cooling air flow.
- Red SP PRO has shutdown due to an over temperature condition caused by high loads, high ambient temperatures or obstructed cooling air flow.

Solution

1. Reduce the load on the system
2. Check and clear fan or fan filter. See page 62

SHUTDOWN

- Yellow SP PRO is approaching a shutdown condition
- Red SP PRO has shutdown

Solution See next section “Troubleshooting with SP LINK” on page 66

ATTENTION

- Off Normal operation - System is operating normally
- Yellow Attention Required, Fan Service Request. See “” on page 62
- Flashing Yellow Either Clean Fan, Fan Fault or Capacitor Bank
- Red Immediate Attention required.
- Flashing RED Unit Fault.

Solution See next section “Troubleshooting with SP LINK” on page 66

3. Battery Indicator

- Top LED Flashing RED Instant Hi DC Voltage Shutdown. Battery or battery wiring fault
- Bottom LED Yellow Low Battery. Battery needs charging
- Bottom LED Red Low Battery Shutdown. Inverter has shut down due to flat or faulty battery
- Bottom LED Flash RED Instant Low DC Voltage Shutdown. Battery or battery wiring fault.

Solution

1. Give battery bank a full charge and equalise charge.
2. Check all battery wiring including the battery bank interconnections, connections at the DC fuse or CB and the main battery connection to the SP PRO.
3. Check all battery sense/pre-charge wiring.
4. Check for faulty or failed cells withing the battery bank.

NOTE: The battery indicator LEDs flashing RED indicates one of the following:

- The inverter has been put in Low DC Shutdown Override by the user. In emergency situations, this override enables the SP PRO to be work beyond the battery shutdown limits.
- To identify a particular inverter in a Powerchain system. LEDs will flash for 3 seconds.
- To indicate the inverter is in Managed AC coupled Low Battery recovery mode. See SP LINK manual for more information.

4. Generator

- Flashing Yellow Generator is not available for auto start. The “Generator Available signal” is not active. See next section “Troubleshooting with SP LINK” on page 66
- Flashing Red There is a generator fault

Solution

1. Check the Generator Available signal.
2. Check the generator and clear the fault
3. Try and start the generator manually.

5. ON

- Steady Red Inverter shut down. See next section “Troubleshooting with SP LINK” on page 66
- Flashing Red Poor battery connection (see solution in “3. Battery Indicator” above)
- Slow Flashing Red Inverter is not configured and will not start. Configure inverter using SP LINK.

Troubleshooting with SP LINK

If any of the LED indicators are ON or Flashing RED or YELLOW and the problem cannot be easily found, more information about the alert condition can be found by taking the following steps.

- Run SP LINK and connect to the SP PRO.
- Go to the Data View - Now tab and view the messages in the “Attention Required” box.
- Right click the “Attention Required” heading to go to the SP LINK manual. The manual lists all the SP PRO alerts, the likely cause and possible remedies.

If more in depth information about the power system or further assistance with the system issues is required::

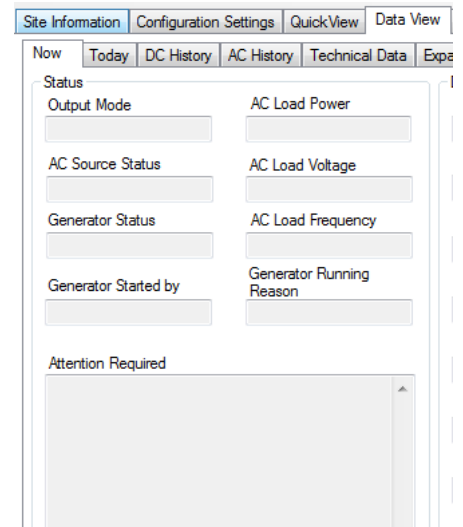
- Go to the Performance Data menu in SP LINK and select “Download All”.
- After the download is complete, run the Performance Data Viewer and click on the “Events” sheet.
- Look for any “ALERT” events to determine the system issues.
- If more information is required about the “ALERT” message go to the Data View - Now tab in SP LINK and right click the “Attention Required” heading to go to the SP LINK manual. The manual lists all the SP PRO alerts, the likely cause and possible remedies.

If further assistance is required then email the zip file in the Download to the System Integrator or to a suitably qualified Integrator.

A suitably qualified Integrator has direct knowledge of the system components, the load profile and SP PRO configuration which affect the behaviour and operation of the SP PRO.

NOTE: The SP PRO contains a very large amount of Performance Data to allow troubleshooting of any system or inverter issues, most are NOT an inverter failure. If the power system is not functioning as required then the system designer should review the Performance Data stored within the SP PRO. See the “Using SP LINK and Performance Monitoring” section within the SP LINK manual for further information. Using the Performance Data Viewer within SP LINK, every aspect of the system and SP PRO can be analysed. If required, Selectronic can provide a second opinion (charges may apply) of the Performance Data.

Further information can be found at www.selectronic.com.au





AC Power Problems

If the power fluctuates, lights go bright or dim but don't go out.

- Check the SP PRO front panel indicators and Performance data for information on the cause.
- The SP PRO output may be varying due to starting very heavy loads. Check the output voltage reading (AC Load Voltage) via SP LINK.
- The SP PRO is synchronised to a generator that is unstable. Service the generator.

If the power goes off for short periods (1 second to a few minutes)

- Check the SP PRO front panel indicators and Performance Data for information on the cause.
- The SP PRO may be in Power Save mode and the load is too small to detect. In this mode the SP PRO pulses the output until a load is detected. Check the Econo Power Level in SP LINK.
- The SP PRO may be shutting down due to overload or low DC voltage and periodically attempting restarts. If the SP PRO is shutting down switch off any heavy loads that may be causing the shut down.

If the power goes off for longer periods (10 minutes to many hours)

- Check the SP PRO front panel indicators and Performance Data for information on the cause.
- Check the Attention Required window in the Now tab in Data View section of SP LINK to see if a fault is indicated and contact the supplier for further instructions.

Battery Problems



Batteries are very dangerous. Please read the safety information provided by the battery supplier.

Battery does not charge properly

- Check that the battery charging requirements are correctly set up in the SP PRO.
- Check that the solar regulator is correctly set up.
- Check all cables and connections to the batteries.
- The solar regulator may be faulty or is set too low. Check indicators and DC History in SP LINK.
- The AC coupled grid inverter is faulty. Check the display on the grid inverter.
- Some of the solar panels or their wiring is faulty.

If the battery is not operating correctly:

- Physically inspect the battery and check for loose connections. Monitor the battery voltage as heavy loads supplied by the SP PRO are turned on and off.
- Check the voltage on each battery making up the battery bank to see if there are cells not fully charged or not accepting charge. Measure voltages on each cell/battery at different times in the charge discharge cycle. Just after charge has started say after 10 minutes, in mid charge, just before end of charge, ten minutes after discharge starts, mid discharge and just before recharge starts.

Grid related Problems

GRID AVAILABLE BUT POWER IS LOST

- The likely cause is the SP PRO has disconnected from the grid due to high voltage or frequency, leaving the site to operate from the limited battery storage. To resolve, widen the "Sync Tolerance" parameters or contact the electricity supplier.

DC COUPLED SOLAR SYSTEM DOESN'T EXPORT TO THE GRID.

- When configured as Solar Hybrid (AS4777.2:2020), the SP PRO will not export active power from the battery bank or DC coupled solar to the grid.



Off Grid Generator Start/Stop Problems

Daily patterns of generator operation will change as the load supplied each day changes and as any renewable input such as solar increases or decreases from day to day or season to season.

Using SP LINK check the “Generator Running Reason” section of the “Now” tab of the “Data View” section.

If the reason does not seem to relate to what is actually happening in the system consult a suitably qualified Integrator.

IF THE GENERATOR RUNS MORE OFTEN THAN NORMAL OR EXPECTED:

There are several possible causes:

1. The system average load has increased:

Using SP LINK check the “7 DAY DAILY AVERAGE” figure in the “AC LOAD ENERGY” section of “AC HISTORY” within the “DATA VIEW” tab and compare it with the value displayed when the system was operating satisfactorily.

Using SP LINK compare the “7 DAY DAILY AVERAGE” figure in the “AC LOAD ENERGY” section of “AC HISTORY” within the “DATA VIEW” tab against the system design value.

If loads have significantly increased, identify any new electrical equipment that has been added

2. The system peak loads are very high:

Using SP LINK check the POWER and the POWER (5 MIN AVERAGE) in the AC SOURCE area in the NOW tab of the DATA VIEW section while operating any new appliance that has been added to the system. The associated On 5 Load power and the On 15 minute load power setting in the GENERATOR AUTO RUN TAB may need adjustment.

3. The load during late night and early morning periods is higher than expected but not high enough to keep the generator running permanently. There may be multiple starts and stops as the battery becomes discharged and is partly recharged:

Increase the generator minimum run time to increase the amount of battery recharge before stopping, hence reducing the number of starts and stops.

4. The battery is not operating correctly.

If the generator runs longer than normal or expected:

This is generally because system load has increased or the renewable input from solar has decreased. It could also be because the battery efficiency has fallen off with age or cell failure in the battery.

Use the Performance Data Events to establish load levels and reasons for generator starts and stops.

Use the Data View menu to check measured values, particularly the accumulated battery energy in and energy out totals. These will have to be compared over a week to see the change in the accumulated values.

The SP PRO may be performing an Equalise charge which can take some hours to complete; check if the Equalise indicator is illuminated.

There may be a sustained load on the system. Check to see that appliances have not been left on. The Now, Today and AC History sections of the Data View tab provide information regarding the load power.

Check the generator schedule settings.

If the generator restarts a minute or so after it last stops then the battery is discharged, the battery volts are low, or a load is present. Check the Now section of Data view to see the Generator Running Reason. The generator can be shut down permanently by setting the generator to NOT available, or Generator Controller to Disabled.

Inverter Startup Problems

SP PRO WILL NOT START

If the indicators remain dark (not including the 3 blue LEDs along the top) when the SP PRO is switched on, then it is likely that DC battery power is not present. Check all the main battery wiring and terminals. Also check that the main battery fuse or circuit breaker is closed. Retry the start up procedure and if the problem continues contact the installer for further instructions.

Resetting inverter with or without Restoring Factory Default settings

The following procedure will reset the inverter, with or without restoring factory defaults.

Set SP PRO in Idle mode with a long press of the ON button (On LED flashing Yellow)

- To Reset inverter **WITHOUT** restoring defaults, press and hold buttons B as shown, all indicators will go off. Release buttons B and inverter will reset.
- To Reset inverter **AND** restore factory defaults, press and hold buttons B as shown, all indicators will go off. Whilst continuing to hold B, press C to select from following options -
 Press C once. All LEDs Green = Reset to factory defaults.
 Press C twice. All LEDs Off = Reset without setting factory defaults.
 Release all buttons, wait 10 seconds until display is stable.



The SP PRO will not run after restoring factory defaults as it is not configured. SP LINK must be used to send a configuration to the SP PRO before it will run.

It is recommended that the SP PRO configuration is saved to a site file in SP LINK before restoring factory defaults.



Appendix A - Specifications

Appendix



Standards Compliance

IEC 62109-1 Ed. 1.0	Safety of power converters for use in photovoltaic power systems - Part 1 General requirements
IEC 62109-2 Ed. 1.0	Safety of power converters for use in photovoltaic power systems - Part 2 Particular requirements for inverters
AS/NZS 61000-6-3:2007	Electromagnetic Compatibility (EMC) - Part 6-3: Generic Standards - Emission Standard For Residential, Commercial And Light-industrial Environments
AS/NZS 61000-6-4:2007	Electromagnetic Compatibility (EMC) - Part 6-4: Generic Standards - Emission Standard For Industry
AS/NZS 4777.2-2015	Grid connection of energy systems via inverters - Inverter requirements Includes DRM 0-8 and all optional power quality modes.
AS/NZS 4777.2-2020	Grid connection of energy systems - Inverter requirements. Complies with the requirements for Stand Alone Inverters. SPMC480-AU, SPMC481-AU, SPMC482-AU, SPLC1200 and SPLC1202 only.
IEC 62116:2014	Utility-interconnected photovoltaic inverters - Test procedure of islanding prevention measures.
AS 62040-1:2019	Uninterruptible power systems (UPS) Safety requirements. (IEC 62040-1:2017 (ED 2.0), MOD).
IEC 62477-1:2012 (AMD1:2016)	Safety requirements for power electronic converter systems and equipment - Part 1: General.
C-tick Australia	

Product Specifications



Note: Selectronic reserve the right to change specifications without notice.
All ratings are at 25°C and nominal battery voltage unless otherwise stated. The product is
specified to a maximum altitude of 2000 metres.



SP PRO SERIES SPECIFICATIONS		SPMC240	SPMC241	SPMC480	SPMC481	SPMC482	SPMC1201	SPLC1200	SPLC1202
Nominal battery voltage.		24 V	24 V	48 V	48 V	48 V	120 V	120 V	120 V
Continuous (rated), output power		3,000 W	4,500 W	3,500 W	5,000 W	7,500 W	7,500 W	15,000 W	20,000 W
Rated apparent power		3,000 VA	4,500VA	3,500 VA	5,000 VA	7,500VA	7,500VA	15,000 VA	20,000 VA
Continuous inverter AC current		2.5 A	18.8 A	14.6 A	20.9 A	31.3 A	31.3 A	62.5 A	83.4 A
Continuous, DC charge current		125 A	188 A	73 A	104 A	156 A	63 A	125 A	167 A
Continuous DC discharge current		148 A	220 A	83 A	119 A	179 A	71 A	129 A	175 A
Continuous grid export power		The SP PRO will not export active power to the grid							
Continuous, output power		40°C	2,700 W	3,900 W	3,100 W	4,400 W	6,700 W	6,700 W	15,000 W
Continuous, DC charge current			113 A	163 A	65 A	92 A	140 A	56 A	125 A
10 second load rating									44,000 W
10 second output current									180 A
20 second load rating		7,500 W	10,500 W	8,400 W	12,000 W	18,000 W	18,000 W	33,000 W	38,000 W
20 second output current		28 A	40 A	33 A	47 A	70 A	70 A	135 A	155 A
1 minute output power		5,400 W	7,600 W	6,000 W	8,700 W	13,000 W	13,000 W	26,000 W	35,000 W
30 minute output power		4,200 W	6,750 W	5,250 W	7,000 W	11,250 W	11,250 W	23,000 W	30,000 W
60 minute output power		3,200 W	4,700 W	3,700 W	5,300 W	8,000 W	8,000 W	18,000 W	24,000 W
DC input and output voltage range		20 - 32 V	20 - 32 V	40 - 64 V	40 - 64 V	40 - 64 V	100 - 162 V	100 - 162 V	100 - 162 V
TRANSFER SWITCH (Synchronous)									
AC transfer current capacity		63 A						125 A	
Max AC input source, (generator/grid)		15 kVA						30 kVA	
Max total output to Load, AC source + inverter		15 kVA + Output Power of the SP PRO						30 kVA + Output Power of the SP PRO	
AC transfer time		no-break							
If grid fails		0 - 0.03 seconds							
Battery charger type		Temperature compensated, 5 stage, power factor corrected with dual stage float							
EFFICIENCY									
DC consumption idle		6 W							
ON with no load		25 W	33 W	26 W	35 W	43 W	43 W	89 W	90 W
Peak efficiency – all modes		95%	95%	95%	95.5%	96%	96.5%	97.2%	97.2%
10% load		90%	90.5%	90.5%	91%	91%	91.5%	93.3%	94.8%
20% load		92.5%	93%	93%	94%	94%	94%	95.8%	96.8%
50% load		94%	94.5%	94.5%	95%	95.5%	96%	97.2%	97.1%
100% load		90%	91%	91.5%	92.5%	93%	93.5%	96.8%	95.5%
AC OUTPUT (standalone)									
Range,		210 to 240 V +/- 0.5%							
Power Factor Range		0.1 to 1.0 leading or lagging							
maximum AC fault current (RMS)		35A	52A	41A	58A	86A	86A	175A	230A
over current protection rating (external)		63 A						125 A	
Output short circuit current		28A	40A	33A	47A	70A	70A	135A	155A
Decisive Voltage Class		C							
Over voltage Class		OVC III							
Regulation		<1% droop 0-100% rated load (<2% @ 150%, <5% @200%)							
THD		<3% @ 0-200% rated load							
Frequency		50 or 60 Hz +/-0.005% standalone							
AC SOURCE (input)									
Nominal voltage,		240 V~							
Power Factor Range		0.1 to 1.0 leading or lagging							
AC current (All modes)		63 A						125 A	
Tolerance on nominal voltage		Configurable 204 to 264 V~							
over current protection rating (Installed external to inverter)		Miniature circuit breaker (MCB) IEC 60947-2, trip curve C: Single-pole, 63 A, 6kA fault current interrupting capacity (Icu) at 240V						MCB IEC 60947-2, trip curve C :Single-pole, 125 A, 10 kA Icu at 240V	
Rated short time withstand current (Icw)		6kA 1s						10kA 1s	
Rated peak withstand current (Ipk)		6kA						10kA	
Decisive Voltage Class		C							
Over voltage Class		OVC III							
Nominal input frequency		50/60 Hz							
Tolerance on nominal frequency		Configurable +/- 1% to 10%							
Active Anti-Islanding method		LF impedance measurement - Complies with IEC 62116:2014							
Generator can be started by		Battery SoC, DC voltage, battery load, unit temperature, time & remote control							

All specification at 25C and Rated DC input voltage unless otherwise stated.
Specifications may change without notice.



...SP PRO SERIES SPECIFICATIONS	SPMC240	SPMC241	SPMC480	SPMC481	SPMC482	SPMC1201	SPLC1200	SPLC1202
FEATURES								
Powerchain	Included. Connect multiple SP PROs into one single phase or multiphase system. Up to four SP PROs per Phase. (Up to twelve SP PROs in a three phase system)							
Battery temperature sensor	Included							
Mid point battery voltage sensing	Included							
Front panel display and controls	22 x LED indicators with auto brightness for, charger status, battery capacity, alarms, AC status. Generator control button. On button. Silence Alarm button.							
Digital Inputs	4 of: Max 60 V DC (Active > +10 V, Inactive < +3 V)							
Inverter Topology	Isolated							
Protective Class	Class 1 (AC source, AC load and battery ports)							
Operating ambient temperature	-20C to 60C							
Shunt Inputs	2 of: +/-100 mV, adjustable 25mV to 100mV, 25 A to 1000 A							
Analogue Inputs	2 general purpose logged 0-60 V						n/a	
Relay Outputs	4 of: 60 V, 500 mA rated dry contacts							
Digital outputs	3 of: 60 V, 5 mA rated Open collector							
Communication ports	USB and RS232 for SP LINK communications (optional remote comms via Select.live) RS485 for Managed AC solar and Managed batteries CAN - Managed battery systems SYNC - Powerchain inter inverter communications							
Memory retention of settings & data	Permanent							
Select.live monitoring option.	Option, allows remote monitoring of system parameters and SP LINK remote connection							
SP LINK configuration and monitoring software	Standard, for SP PRO display, configuration of parameters, system monitoring and diagnostics. Remote connection possible via Select.live option..							
Dimensions (mounted) W x H x D	375 x 690 x 220						540 x 870 x 293	540 x 870 x 293
Weight (with wall mount)	35 kg	39 kg	35 kg	40 kg	42 kg	42 kg	113 kg	115 kg
Standards	IEC62019.1, IEC62019.2, IEC 62040-1:2017/ AS 62040.1:2019, IEC 62477-1:2012							
	AS/NZS 61000-6-3 2007						AS/NZS 61000-6-4 2007	
Grid Connect AS/NZS 4777.2-2020 Complies with Stand Alone Inverter requirements.	No	No	Yes	Yes	Yes	No	Yes	Yes
Grid Protection	IEC 62116:2014							
Protection	IP43							

Disconnection and Isolation								
Disconnection and isolation of SP PRO	The SP PRO must have external disconnect devices installed on AC Output (AC Load), AC Source and Battery port. To disconnect and isolate the inverter, all disconnect devices on all three ports must be in the OFF position.(disconnected)							
Inverter Demand Response Modes (DRM)								
Demand Response modes available	DRM0 to DRM8 available. To enable configure DRM Mode using SP LINK. See SP LINK manual for more details.							

SUITABLE BATTERY TYPES AND VOLTAGE								
Decisive voltage class of battery port	A					C		
Over voltage class of battery port	OVC II					OVC II		
over current protection rating (Required to be installed external to inverter)	250A	250A	125A	160A	250A	160A	250A	250A
Lead acid batteries - Nominal Voltage	24 V	24 V	48 V	48 V	48 V	120 V	120 V	120 V
Lead Acid battery type	Suitable for all types of Lead acid battery technologies in both sealed and flooded cells. SP PRO charger settings must be configured to suit battery manufacturer's specifications							
Lithium battery - Nominal voltage and number of cells (assuming 3.2V per cell)	25.6 V 8 cells	25.6 V 8 cells	51.2 V 16 cells	51.2 V 16 cells	51.2 V 16 cells	128 V 40 cells	128 V 40 cells	128 V 40 cells
Lithium battery type. No communications with BMS	Any Lithium battery technologies is suitable provided it is approved for the intended application. The Lithium battery bank must have its own Battery Management System that provides full protection and disconnection functions to ensure safe operation of the battery bank at all times and under all conditions. SP PRO charger settings must be configured to suit battery manufacturer's specifications.							
Lithium battery type. with communications between SP PRO and BMS .	Compatible with a number of Lithium battery brands with communications between the SP PRO and the battery BMS. Please see the Selectronic web site for the list of approved batteries..							
Flow Battery - Nominal voltage	24V	24V	48V	48V	48V	120V	120V	120V
Flow battery type	Any Flow battery technology is suitable provided it is approved for the intended application. SP PRO charger settings must be configured to suit battery manufacturer's specifications. Use the "Custom battery" setting within the SP PRO.							

All specification at 25C and Rated DC input voltage unless otherwise stated.
Specifications may change without notice.



The RS232 ports are wired as DTE with their pinouts listed in the table below.

Pin	Signal RS232 Port 1 RJ45	Signal RS232 Port 1 DB9	Signal RS232 Port 2 RJ45
1	+12V 0.8A supply	N/C	+12V 0.8A supply
2	N/C	Receive (Input) Data	Data Terminal Ready
3	Transmit (Output) Data	Transmit (Output) Data	Transmit (Output) Data
4	Signal Ground	N/C	Signal Ground
5	Signal Ground	Signal Ground	Signal Ground
6	Receive (Input) Data	N/C	Receive (Input) Data
7	N/C	N/C	Data Carrier Detect
8	N/C	N/C	N/C
9	-	+12V 0.8A supply	-

Selectronic Australia Pty Ltd
© 2022

Ph +61 3 9727 6600

www.selectronic.com.au